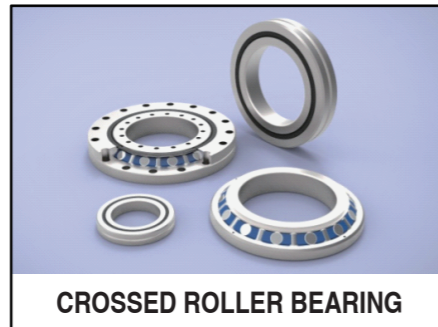


LINEAR MOTION GUIDE



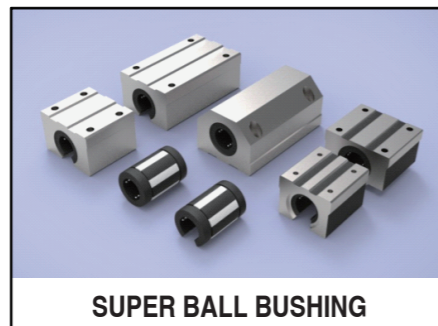
CROSSED ROLLER BEARING



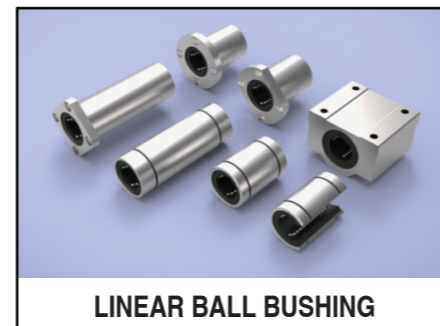
BALL SPLINE



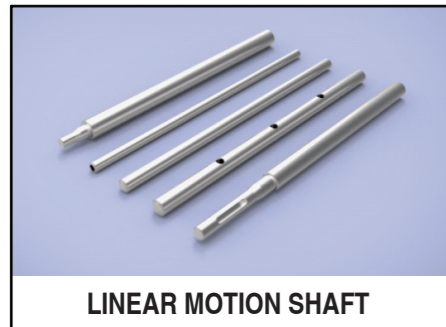
CROSS ROLLER GUIDE WAY



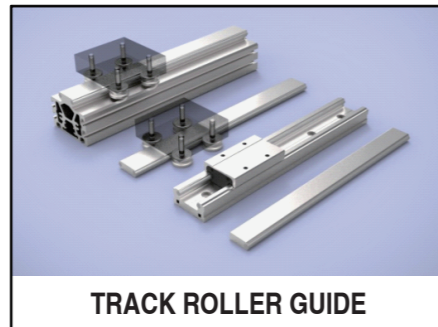
SUPER BALL BUSHING



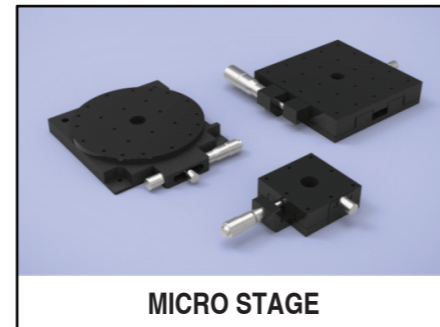
LINEAR BALL BUSHING



LINEAR MOTION SHAFT

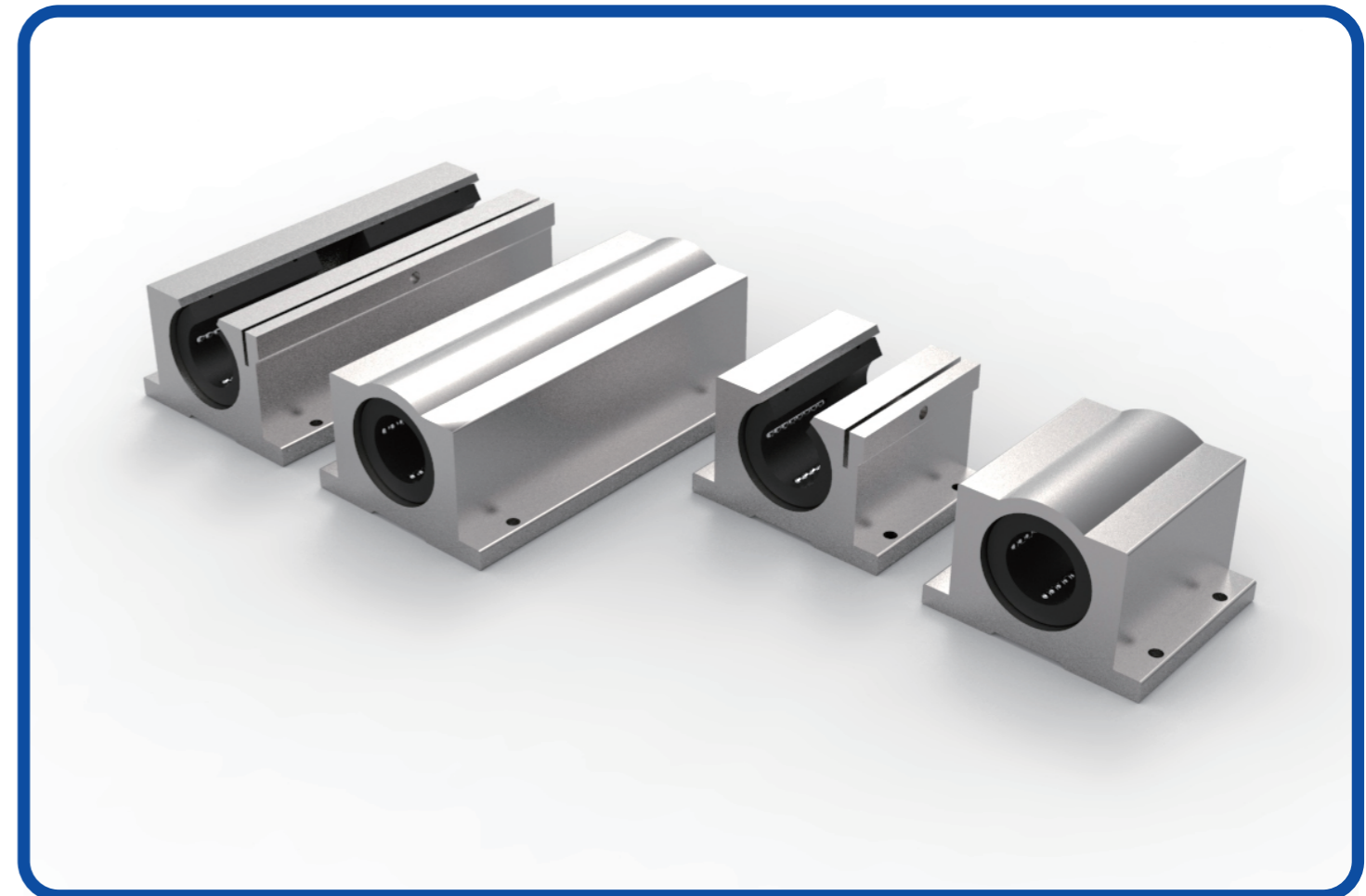


TRACK ROLLER GUIDE

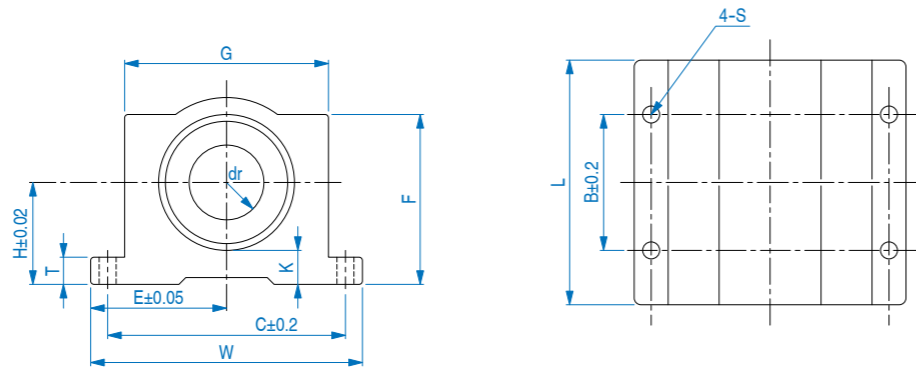
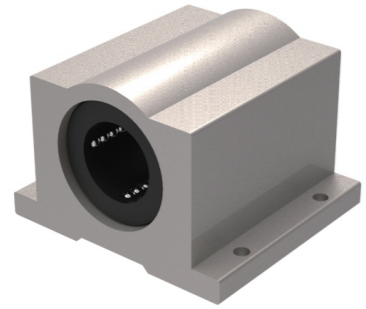


MICRO STAGE

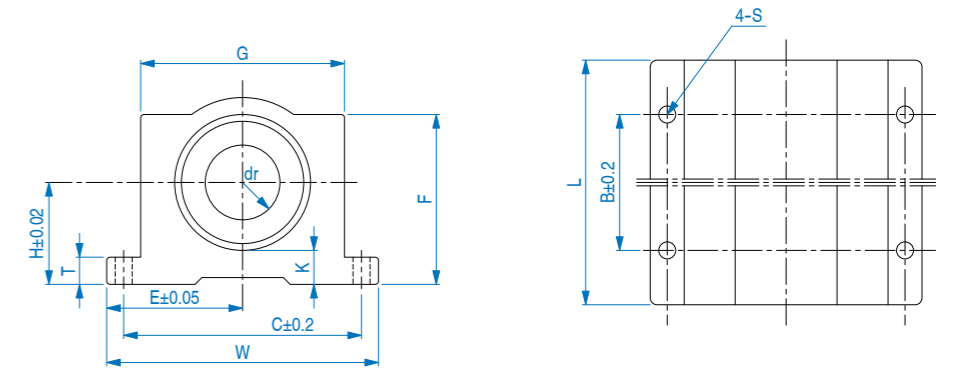
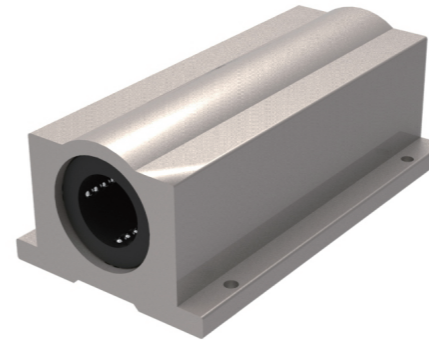
INCH SUPER LINEAR BUSHING LINEAR MOTION SYSTEM



PBA Case Unit
Inch Super Linear Bushing Block



PBAL PBA Long type Case Unit
Inch Super Linear Bushing Block



Unit : inch

Part No.	Shaft Diameter	Main Dimension						Mounting Dimension					Weight (Lbs)
		H	E	W	L	F	T	G	K	B	C	S1	
PBA08	0.5	0.687	1	2	1.688	1.125	0.25	1.375	0.25	1	1.688	0.155	0.2
PBA10	0.625	0.875	1.25	2.5	1.937	1.437	0.281	1.75	0.313	1.125	2.125	0.185	0.5
PBA12	0.75	0.937	1.375	2.75	2.063	1.562	0.312	1.875	0.312	1.25	2.375	0.185	0.6
PBA16	1	1.187	1.625	3.25	2.813	1.937	0.375	2.375	0.406	1.75	2.875	0.217	1.2
PBA20	1.25	1.5	2	4	3.625	2.5	0.437	3	0.5	2	3.5	0.217	2.5
PBA24	1.5	1.75	2.375	4.75	4	2.937	0.5	3.5	0.563	2.5	4.125	0.28	3.8

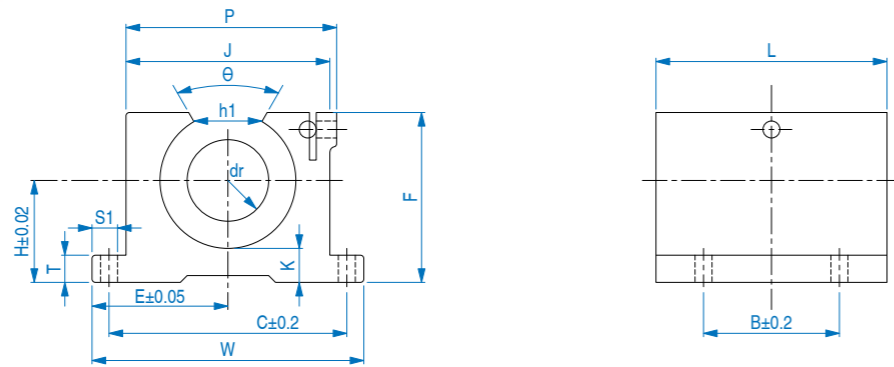
* 1 Lbs = 0.454 kg

Unit : inch

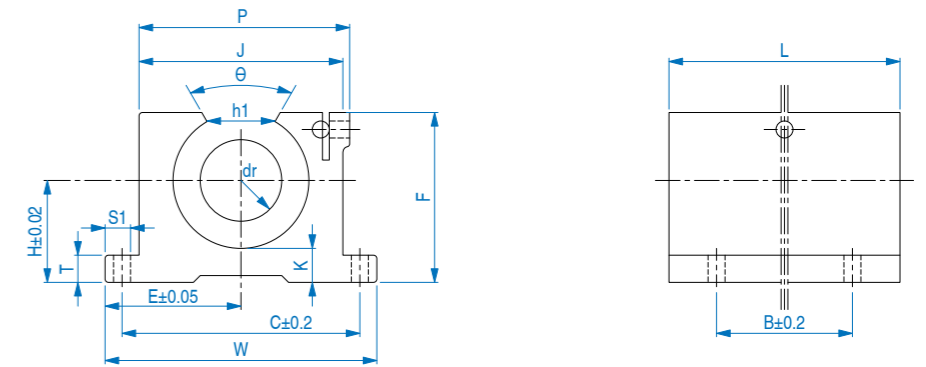
Part No.	Shaft Diameter	Main Dimension						Mounting Dimension					Weight (Lbs)
		H	E	W	L	F	T	G	K	B	C	S1	
PBA08L	0.5	0.687	1	2	3.5	1.125	0.25	1.375	0.25	2.5	1.688	0.155	0.4
PBA10L	0.625	0.875	1.25	2.5	4	1.437	0.281	1.75	0.313	3	2.125	0.185	1
PBA12L	0.75	0.937	1.375	2.75	4.5	1.562	0.312	1.875	0.312	3.5	2.375	0.185	1.2
PBA16L	1	1.187	1.625	3.25	6	1.937	0.375	2.375	0.406	4.5	2.875	0.217	2.4
PBA20L	1.25	1.5	2	4	7.5	2.5	0.437	3	0.5	5.5	3.5	0.217	5
PBA24L	1.5	1.75	2.375	4.75	9	2.937	0.5	3.5	0.563	6.5	4.125	0.28	7.8

* 1 Lbs = 0.454 kg

PBAO Ajustment and Open Case Unit
Inch Super Linear Bushing Block



PBAOL PBAO Long Ajustment and Open Case Unit
Inch Super Linear Bushing Block



Unit : inch

Part No.	Shaft Diameter	Main Dimension							Mounting Dimension							Weight (Lbs)
		H	E	W	L	F	Θ	T	h1	K	J	P	B	C	S1	
PBAO12	0.75	0.937	1.375	2.75	1.874	1.563	60	0.31	0.625	0.312	1.906	1.968	1.25	2.375	0.187	0.452
PBAO16	1	1.187	1.625	3.25	2.625	2	60	0.38	0.76	0.406	2.406	2.468	1.75	2.875	0.218	1.01
PBAO20	1.25	1.5	2	4	3.375	2.5	60	0.437	0.953	0.5	3	3.094	2	3.5	0.218	1.98
PBAO24	1.5	1.75	2.375	4.75	3.75	2.937	60	0.5	1.187	0.563	3.5	3.562	2.5	4.125	0.281	2.95

* 1 Lbs = 0.454 kg

Unit : inch

Part No.	Shaft Diameter	Main Dimension							Mounting Dimension							Weight (Lbs)
		H	E	W	L	F	Θ	T	h1	K	J	P	B	C	S1	
PBAO12L	0.75	0.937	1.375	2.75	4.5	1.56	60	0.31	0.625	0.312	1.906	1.968	3.5	2.375	0.187	1
PBAO16L	1	1.187	1.625	3.25	6	2	60	0.38	0.76	0.406	2.406	2.468	4.5	2.875	0.218	2
PBAO20L	1.25	1.5	2	4	7.5	2.5	60	0.437	0.953	0.5	3	3.094	5.5	3.5	0.218	4.2
PBAO24L	1.5	1.75	2.375	4.75	9	2.94	60	0.5	1.187	0.563	3.5	3.562	6.5	4.125	0.281	6.7

* 1 Lbs = 0.454 kg