

## SR SERIES

---

### SPECIAL FEATURES:

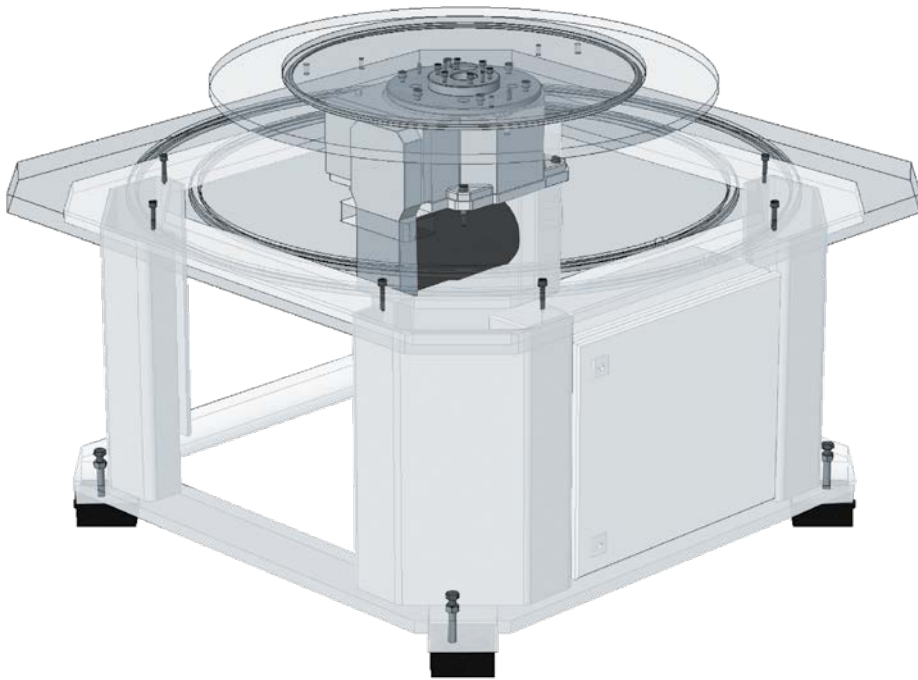
- Standard sizes:  
SR 100B, SR 200B, SR 300B, SR 400B, SR 500B
- 2 - 4 standard ribbed legs depending on diameter (custom arrangement available on request)
- Customised diameters
- Customised sizes available upon request

### ROTARY INDEXING TABLES

- Select the rotary indexing table suitable for your application
- Series TC/NC, TR/NR, TW, TO, CR all are available in various model sizes
- The overall height of your machine will be determined by the height of the indexing unit used and the length of the support legs.
- Laser measurement of the indexing precision possible on request

### ROTARY PLATE

- Ultimate precision and machining on the latest CNC drilling machines in climate-controlled rooms
- Dimensions, manufacturing and surface treatments according to your specification
- Supplied with a quality certificate



## SK SERIES

### SPECIAL FEATURES:

- Standard sizes: SK 100B, SK 200B, SK 300B
- Integrated switch cabinets available
- Any edge dimensions possible
- Customised sizes available upon request

### BASE PLATES

- Round, square or rectangular
- Dimensions, material and processing according to your specification
- Machining according to your drawing
- T-slots possible
- Cable ducts standard

### STATIONARY PLATE

- With integrated lip seal between stationary and rotating indexing plate
- In aluminium or steel, manufactured according to your drawing
- T-grooves possible for variable module arrangement

### BASE FRAMES

- Round and square standard sizes
- Height adjustment possible
- Customised design upon request
- High quality rigid fabricated construction
- Control cabinets for the square model
- Height-adjustable and shock-absorbing feet

# SR SERIES

TABLE OF DIMENSIONS FOR STANDARD VERSION (Attention! New type designation)

Type	Recommended rotary table type	ØA (Standard)	B	B*	H	ØI	ØJ	ØK
<b>SR 100B</b>	<b>TC/NC 150 – 320, TW 150 – 300 TO 150 – 220, CR 300</b>	<b>1300</b>	<b>35</b>	<b>40</b>	<b>575</b>	<b>960</b>	<b>615</b>	<b>960</b>
<b>SR 200B</b>	TC/NC 220 – 320T, TC 500, CR 400 TR/NR 750, PM 1100, TO 750, TW 200 – 300	1500	35	40	485	1200	815	1200
<b>SR 300B</b>	<b>TC/NC 320, TC 500, TC 700, TW 300 TR/NR 750, TR/NR 1100, PM 1500, CR 400 – 700</b>	<b>1800</b>	<b>35</b>	<b>40</b>	<b>615</b>	<b>1350</b>	<b>967</b>	<b>1350</b>
<b>SR 400B</b>	TC 500 – 700, TR/NR 1100, TR/NR 1500 CR 700 – 1000C	2200	35	40	690	1800	1357	1800
<b>SR 500B</b>	<b>TR/NR 1500, TR/NR 2200, CR 1000–1300</b>	<b>2500</b>	<b>35</b>	<b>40</b>	<b>656</b>	<b>2200</b>	<b>1700</b>	<b>2200</b>

General tolerances in conformity with DIN ISO 2768-m. Special tolerances upon request/dimensions variable.

\* with T-slots

**Notes:** For the permissible loads of the stationary or rotary indexing plates, please refer to the "Rotary indexing table" chapter. Special machining according your drawing.

Rotary indexing ring table with base frame  
and raised supports

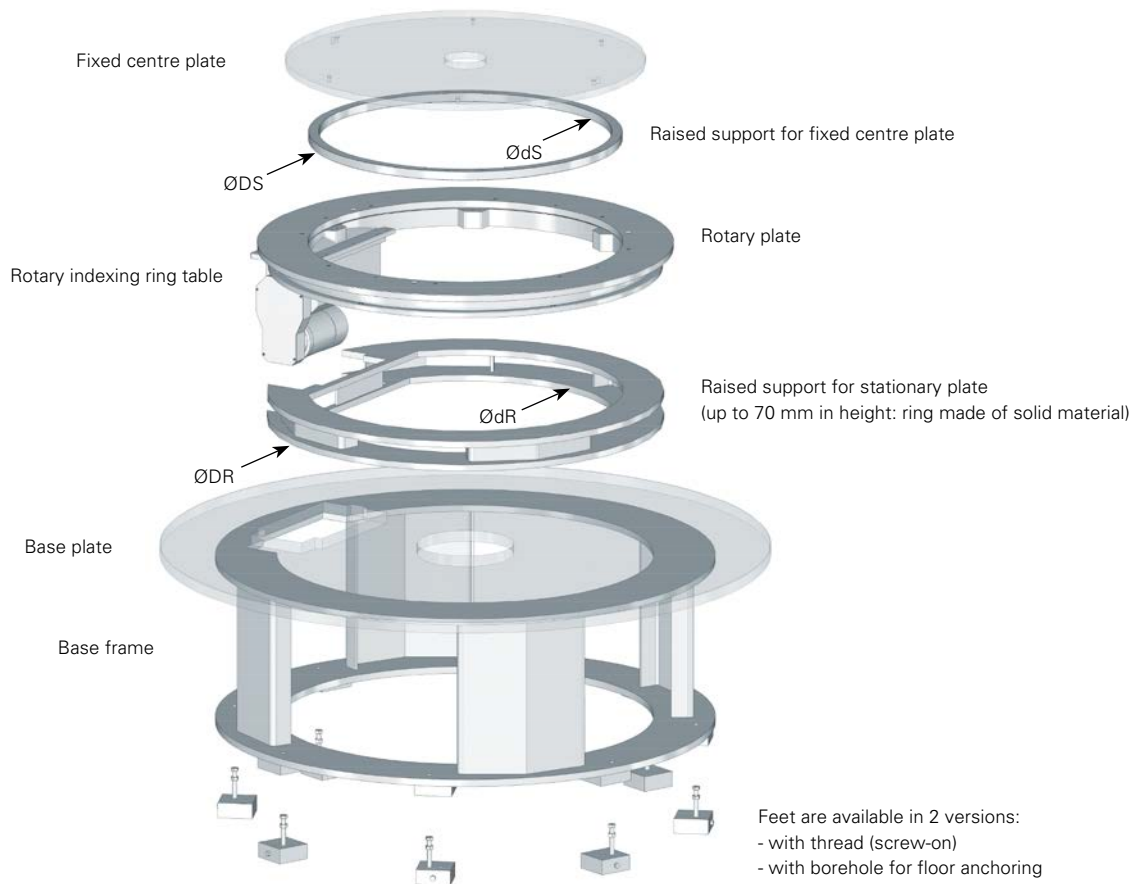
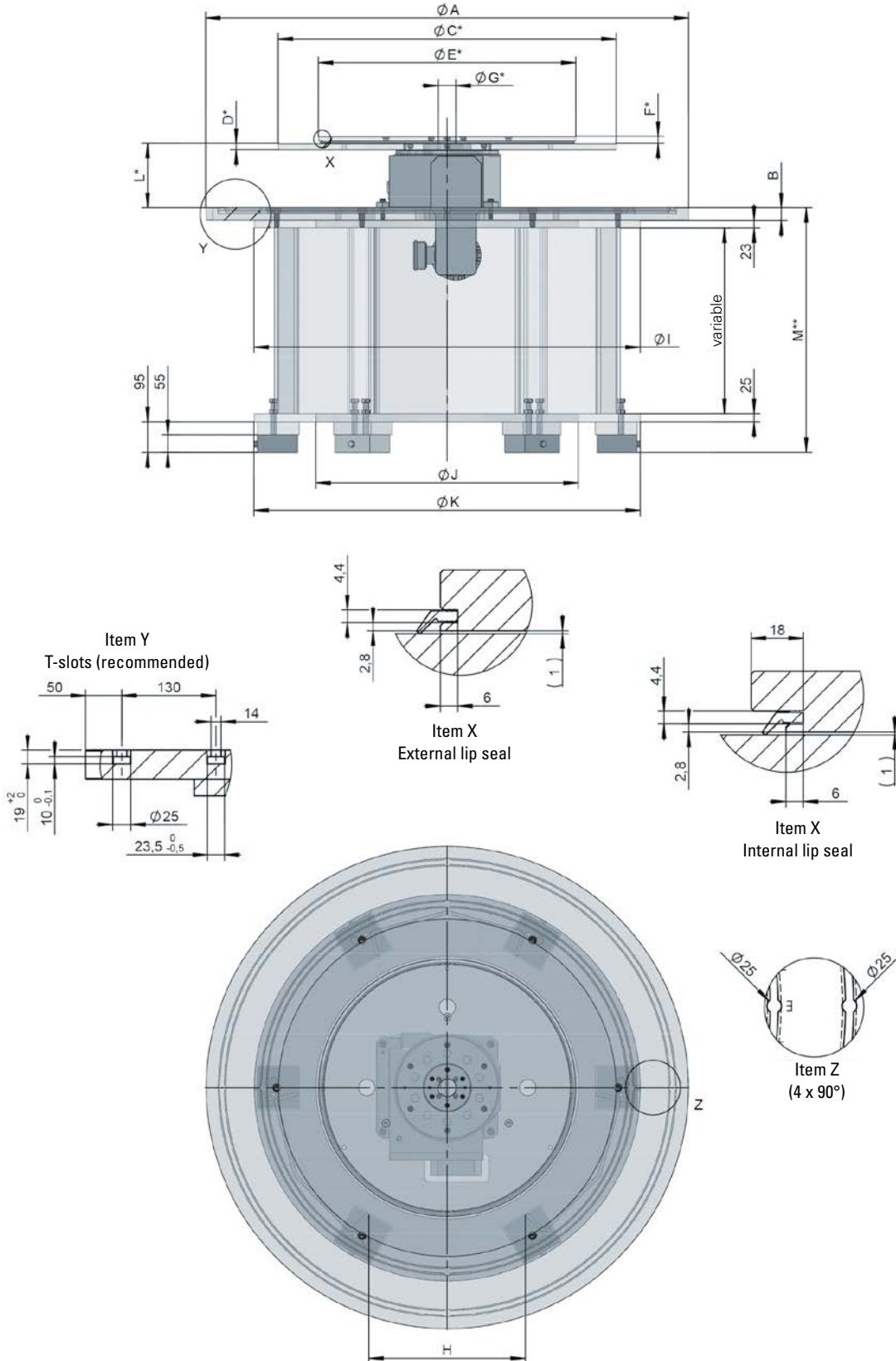


TABLE OF DIMENSIONS FOR RAISED SUPPORTS Raised supports are optionally available for TR/NR rotary indexing rings tables.

Table type	Raised support for fixed centre plate			Raised support for rotary indexing ring tables		
	ØDS	ØdS	Height	ØDR	ØdR	Height
<b>TR/NR 750</b>	<b>485</b>	<b>410</b>	<b>21.5</b>	<b>770</b>	<b>440</b>	<b>variable</b>
<b>TR/NR 1100</b>	795	720	32	1100	740	variable
<b>TR/NR 1500</b>	<b>1130</b>	<b>1055</b>	<b>32</b>	<b>1420</b>	<b>1080</b>	<b>variable</b>
<b>TR/NR 2200</b>	1745	1655	37	2200	1660	variable

### DIMENSIONS

Please download the selected machine base from the internet (in 2D or 3D) directly into your CAD drawing. This will ensure you are using the latest model.



\* For recommended dimensions and diameters, see "Rotary tables"

\*\* Distance M varies according to the ridge height and can be changed by  $\pm 3$  mm by adjusting the feet

# SK SERIES

TABLE OF DIMENSIONS FOR STANDARD VERSION (Attention! New type designation)

Type	Recommended rotary table type	□A (Standard)	B	B*	H	□I	□J	□K
<b>SK 100B</b>	<b>TC/NC 150 – 320, TW 150 – 300 TO 150 – 220, CR 300</b>	<b>1300</b>	<b>35</b>	<b>40</b>	<b>410</b>	<b>1000</b>	<b>615</b>	<b>1000</b>
<b>SK 200B</b>	TC/NC 220–320, TW 200–300 TR/NR 750, CR 400, TO 750	1480	35	40	610	1300	1007	1300
<b>SK 300B</b>	<b>TC/NC 320, TC 500 – 700, TW 300, TR/NR 750, TR/NR 1100, CR 400 – 700, PM 1100, PM 1500</b>	<b>1800</b>	<b>35</b>	<b>40</b>	<b>710</b>	<b>1610</b>	<b>1310</b>	<b>1610</b>

General tolerances in conformity with DIN ISO 2768-m. Special tolerances upon request/dimensions variable.

\* with T-slots

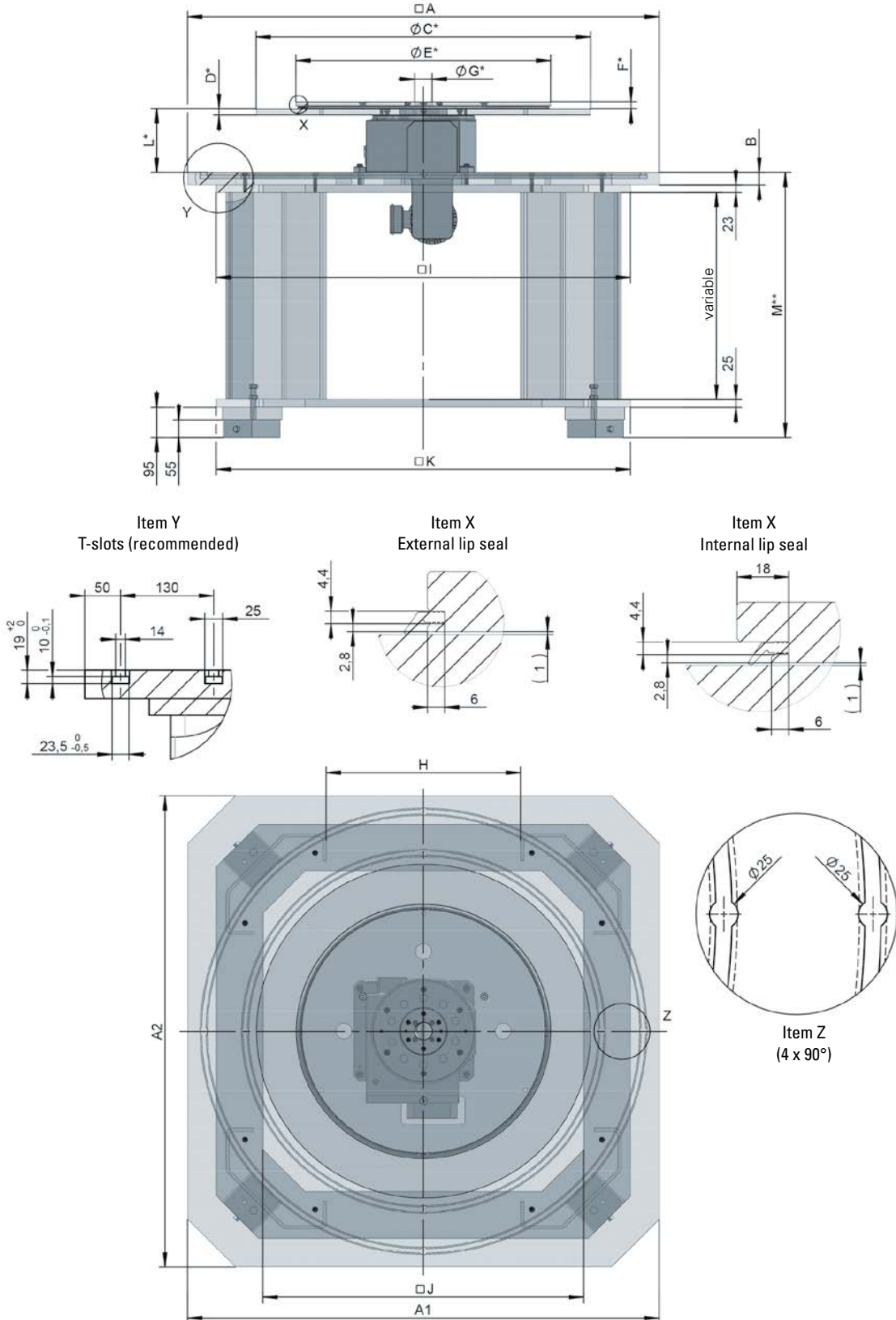
**Notes:** For the permissible loads of the stationary or rotary indexing plates, please refer to the „Rotary indexing table“ chapter. Special machining according your drawing.



Example detailing SK300B, TC320T, dial and stationary plates.

**DIMENSIONS**

Please download the selected machine base from the internet (in 2D or 3D) directly into your CAD drawing. This will ensure you are using the latest model.



\* For recommended dimensions and diameters, see "Rotary indexing tables"

\*\* Distance M varies according to the ridge height and can be changed by  $\pm 3$  mm by adjusting the feet

# PLATES

CUSTOMER-SPECIFIC SOLUTIONS | PLATES

## STATIONARY PLATE

- Standard model with integrated sealing lip between stationary and rotating plate in steel or aluminium
- Delivered with assembly hole and bore pattern (incl. middle bore) appropriate for the table, T-slots possible
- Manufactured in Flatness Quality B including 3 off blanked machining holes
- Please note! All drill holes are blind in order to avoid the accidental blocking of the rotary indexing table

## ROTARY PLATE

- Precision machined from aged material in a controlled temperature environment
- Recommended to be manufactured from aluminium to minimise weight
- With appropriate assembly holes and bore patterns (plate is located on the rotary indexing table with two dowel pins)

## BASE PLATE

- 3 cable ducts as standard
- Including cut out for drive when mounted on underside, if required
- Prior to positioning your automation equipment please observe the standard hole pattern for fixing the base plate to the base frame
- T-slots possible

## GUARANTEED PRECISION

- We guarantee the highest precision for flatness and repeatability. Measurements are taken from the indexing dial plate when assembled to the rotary indexing unit. The precision is documented in an inspection certificate.
- Indexing accuracy of hole patterns – up to  $\varnothing 1800 \text{ mm} \pm 3''$  over  $\varnothing 1800 \text{ mm} \pm 8''$
- Laser measurement of the indexing precision possible
- Indicate machining concerning the bore pattern
- Please forward your drawing by E-Mail in pdf or DXF format

## MANUFACTURING NOTE

Dial plates with a diameter more than 550 mm will have 3 auxiliary threads. At stationary plates these threads are closed by plugs. We will inform you about the possible pitch diameter and the thread size if necessary.

## DELIVERY TIME

- Depending on the diameter, between four and eight weeks – including drilling work
- Standard dimensions can be supplied at short notice. (outer diameters: 600, 700, 800, 1000, 1100, 1200 and 1600)
- Surface treatment: 1 week additional processing time required
- Aluminium: anodised
- Steel: chemically nickel-plated



## AXIAL ACCURACY FOR ROTARY TABLES WITH PLATES

Diameter (mm)	Thickness (mm)	Flatness Quality A (mm)	Flatness Quality B (mm)
<b>&lt; 600</b>	≥ 20	<b>0.04</b>	<b>0.10</b>
	< 20	<b>0.06</b>	<b>0.15</b>
<b>&lt; 800</b>	≥ 20	0.06	0.15
	< 20	0.07	0.18
<b>&lt; 1100</b>	≥ 20	<b>0.07</b>	<b>0.18</b>
	< 20	<b>0.08</b>	<b>0.20</b>
<b>&lt; 1400</b>	≥ 25	0.08	0.20
	< 25	0.10	0.25
<b>&lt; 1800</b>	≥ 25	<b>0.10</b>	<b>0.25</b>
	< 25	<b>0.20</b>	<b>0.50</b>
<b>&lt; 2500</b>	≥ 30	0.15	0.40
	< 30	0.25	0.55