

# HP 140T

## GENERAL INFORMATION

- The HP140 is only suitable for horizontal installation

## OPTIONS

- The Pick&Place unit can optionally be designed with a clamping element for the z-axis

## TECHNICAL DATA

<b>U</b>	Voltage range:	200-600 V <sub>AC rms</sub>
<b>a<sub>Max</sub></b>	Max. acceleration:	40 m/s <sup>2</sup>
<b>v<sub>Max</sub></b>	Max. speed:	4 m/s
<b>F<sub>N mot</sub></b>	Nominal force:	100 N (Y), 150 N (Z)
<b>F<sub>P mot</sub></b>	Peak force:	240 N (Y), 370 N (Z)
<b>s<sub>h Max</sub></b>	Horizontal stroke:	160, 215, 270, 300, 400 mm
<b>s<sub>v Max</sub></b>	Vertical stroke:	65, 100, 150 mm
<b>m</b>	Weight:	11-18 kg
	Installation position:	horizontal
	Repeat accuracy:	0.005 mm
<b>m<sub>rec</sub></b>	Max. recommended load:	3 kg

## LOAD DATA

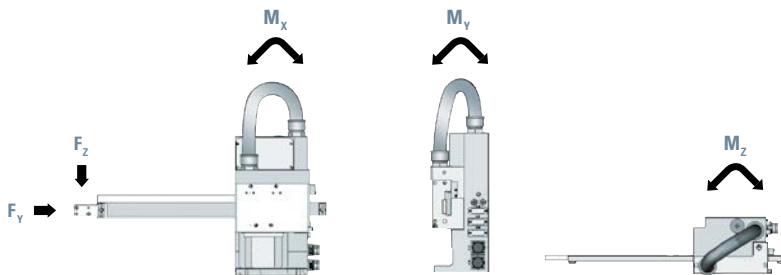
<b>M<sub>X stat</sub></b>	Max. static moment about the X-axis:	49 Nm
<b>M<sub>Y stat</sub></b>	Max. static moment about the Y-axis:	15 Nm
<b>M<sub>Z stat</sub></b>	Max. static moment about the Z-axis:	36 Nm
<b>F<sub>Y stat</sub></b>	Max. static force in the Y-axis:	100 N
<b>F<sub>Z stat</sub></b>	Max. static force in the Z-axis:	100 N

Please do not exceed the given forces – especially during pick or place operations. The accuracy is given for constant temperature and without outside forces.

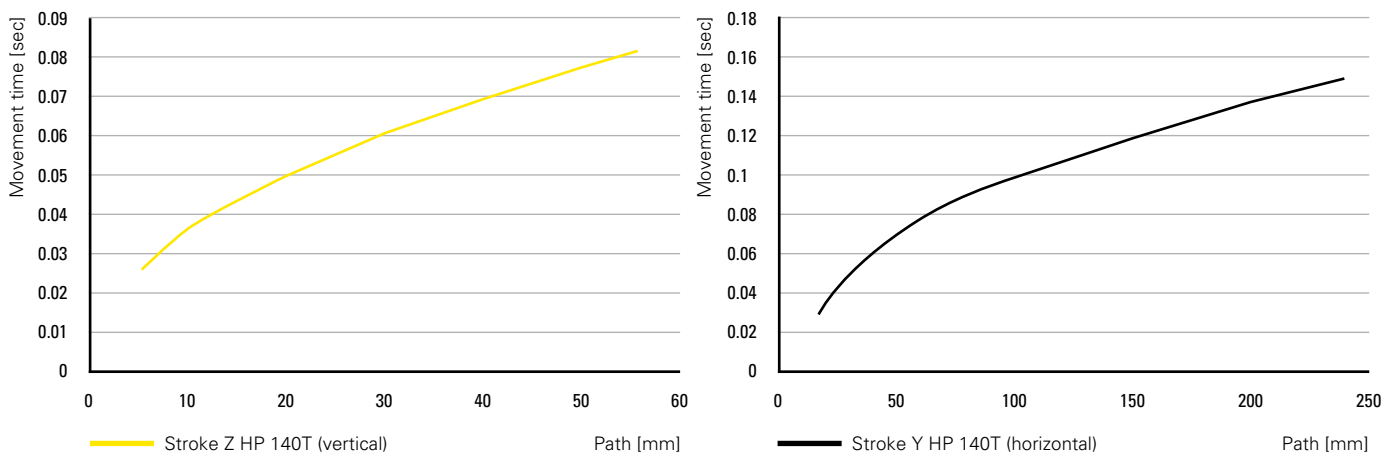
## ENCODER

Balluff	sin/cos
Balluff	BISS
Balluff	SSI

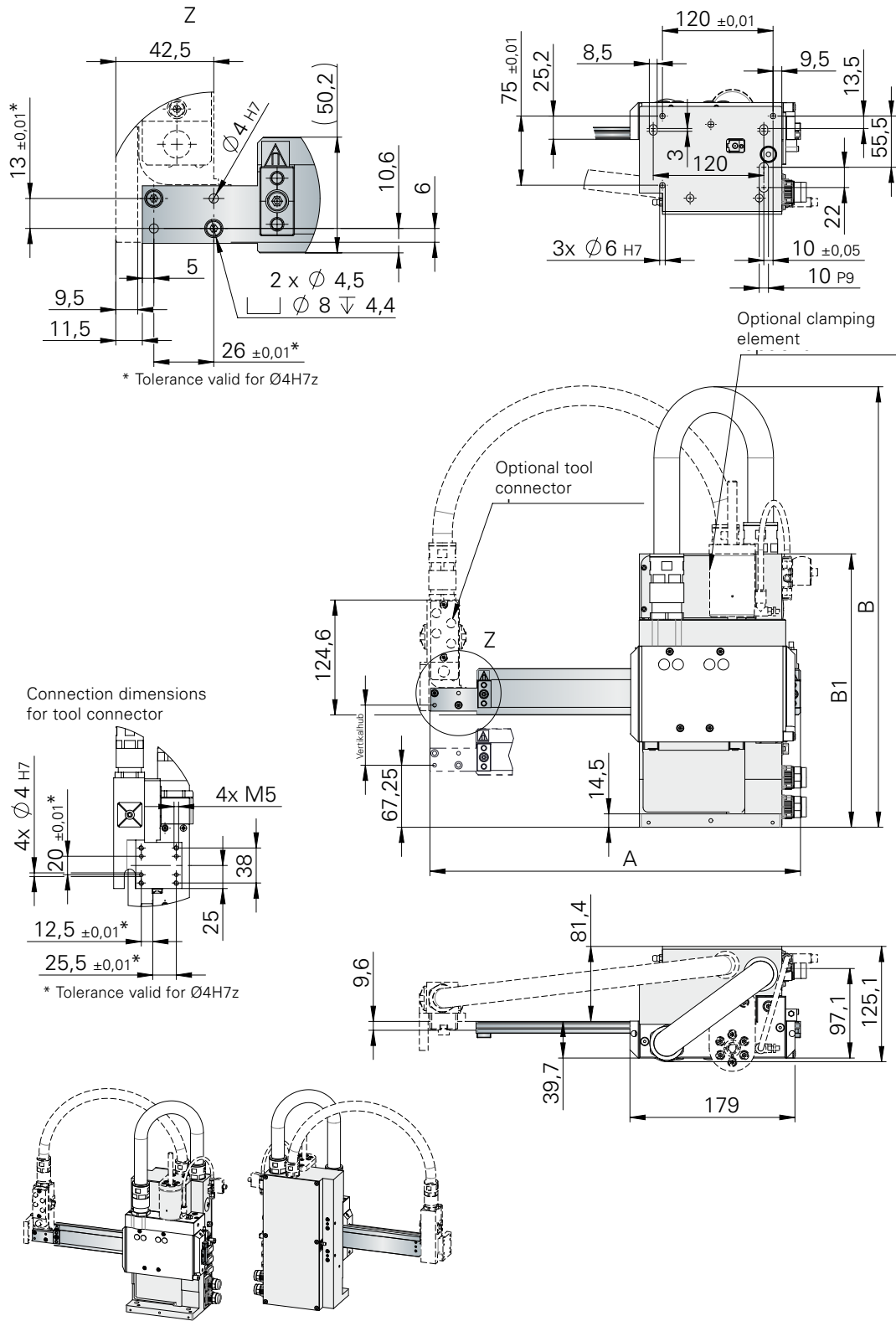
## LOAD DATA



**TIMING DIAGRAM** To help calculate the exact cycle time, please forward your proposed sequence.



DIMENSIONS



Vertical stroke	B	B <sub>1</sub>	Horizontal stroke	A
65	478	296.5	160	402 *
100	581	371.5	270	512 *
150	653	471.5	300	542 *
			400	642 *