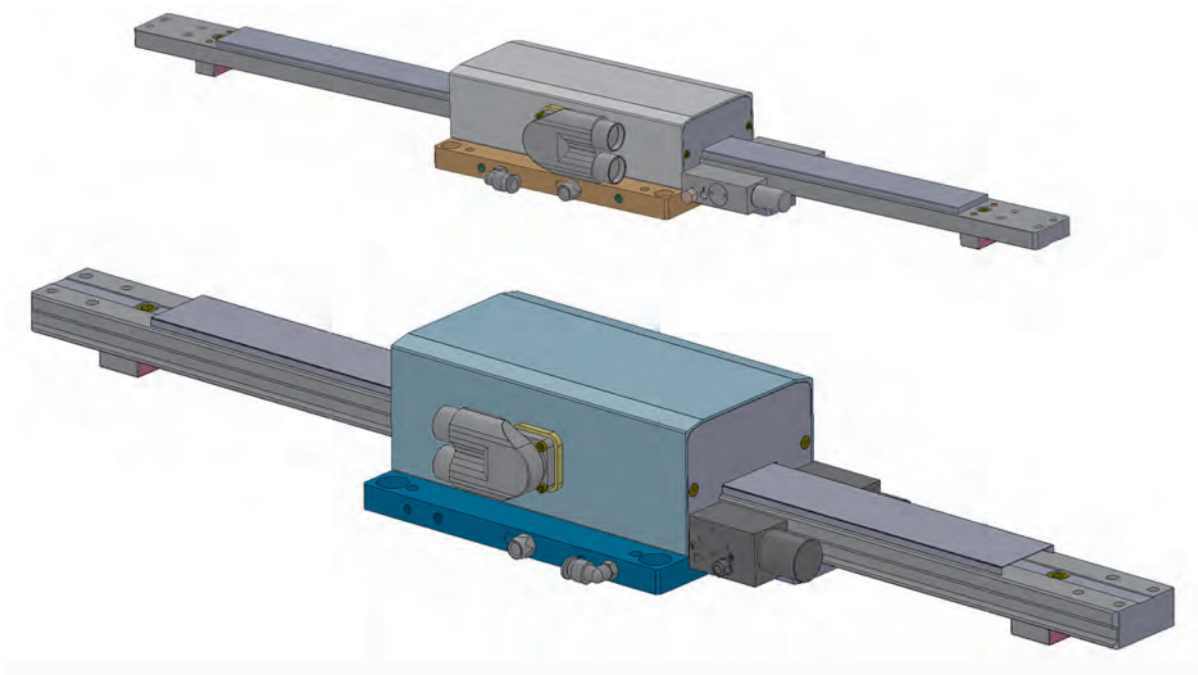


# LINEAR MOTOR AXIS HL0050A / HL0100A

## MOUNTING INSTRUCTIONS

TD0038A-EN00-0000-00

022019\_2.0\_EN



## Table of contents

<b>1</b>	<b>Introduction.....</b>	<b>5</b>
1.1	About these mounting instructions.....	5
1.2	Intended use.....	5
1.3	Predictable incorrect application.....	6
1.4	Applicable documents.....	6
1.5	Warranty.....	7
<b>2</b>	<b>Safety.....</b>	<b>8</b>
2.1	Safety messages and hazard categories.....	8
2.2	Hazard symbols.....	9
2.3	Responsibilities of the system integrator and/or operator.....	10
2.4	Qualification of personnel.....	10
2.5	Hazards caused by strong magnetic fields.....	11
<b>3</b>	<b>Product description.....</b>	<b>13</b>
3.1	Overview.....	13
3.1.1	Overview "Automatic lubrication pump" (optional).....	15
3.2	Function description.....	15
3.3	Nameplate.....	16
3.4	Type code.....	16
3.5	Mounting positions.....	17
<b>4</b>	<b>Technical data.....</b>	<b>18</b>
4.1	General.....	18
4.2	Motor.....	18
4.3	Holding brake (optional).....	19
4.4	Encoder.....	19
4.5	Climatic environmental conditions "Operation".....	20
4.6	Climatic environmental conditions "Transportation and Storage".....	20
4.7	Dimensions.....	21
4.7.1	Dimensions "Automatic lubrication pump" (optional).....	25
4.8	Load data.....	26
<b>5</b>	<b>Packaging.....</b>	<b>28</b>
5.1	Types of packaging.....	28
5.2	Unpacking the product.....	28
5.3	Verification of the delivery.....	28
<b>6</b>	<b>Transportation.....</b>	<b>29</b>
6.1	Transporting the product.....	29



<b>7</b>	<b>Storage</b> .....	<b>30</b>
	7.1 Storing the product.....	30
<b>8</b>	<b>Mounting</b> .....	<b>31</b>
	8.1 Prerequisites for mounting.....	31
	8.2 Equipment and tools.....	31
	8.3 Tightening torques and property classes.....	31
	8.4 Bolting down the product.....	31
	8.5 Connecting the lubrication hose (for optional automatic lubrication).....	35
	8.6 Mounting additional components.....	36
	8.7 Mounting safety equipment.....	36
<b>9</b>	<b>Electrical connection</b> .....	<b>37</b>
	9.1 Connecting the protective ground conductor.....	38
	9.2 Connection assignment.....	39
	9.3 Connection automatic lubrication pump (optional).....	44
	9.4 Connection holding brake (optional).....	46
<b>10</b>	<b>Controller</b> .....	<b>47</b>
	10.1 Basic information on control.....	47
	10.2 WEISS GmbH controller/software package (optional).....	47
<b>11</b>	<b>Commissioning</b> .....	<b>48</b>
	11.1 Prerequisites for commissioning.....	48
	11.2 Performing commissioning.....	48
<b>12</b>	<b>Operation</b> .....	<b>51</b>
	12.1 Basic information on operation.....	51
<b>13</b>	<b>Troubleshooting</b> .....	<b>52</b>
	13.1 Issue, cause and remedy.....	52
<b>14</b>	<b>Cleaning</b> .....	<b>54</b>
	14.1 Performing cleaning.....	54
<b>15</b>	<b>Maintenance</b> .....	<b>56</b>
	15.1 Maintenance plan.....	56
	15.2 Lubricant.....	57
	15.3 Lubricating the product (manual lubrication).....	58
	15.4 Replacing the grease cartridge at the automatic lubrication pump.....	58
	15.5 Bleeding the lubrication hose.....	59
<b>16</b>	<b>Decommissioning</b> .....	<b>60</b>
	16.1 Decommissioning the product.....	60
<b>17</b>	<b>Dismounting</b> .....	<b>60</b>



17.1	Dismounting the product.....	60
<b>18</b>	<b>Disposal.....</b>	<b>60</b>
18.1	Disposing of the product.....	60
<b>19</b>	<b>Service and spare parts.....</b>	<b>61</b>
19.1	Worldwide service.....	61
19.2	Ordering spare parts.....	62
19.3	Spare parts.....	62

# 1 Introduction

## 1.1 About these mounting instructions

These mounting instructions describe the product "Linear motor axis HL0050A / HL0100A" (also referred to as "product" in this document).

These mounting instructions are part of the product.

- You may only use the product if you have fully read and understood these mounting instructions.
- Verify that these mounting instructions are always accessible for any type of work performed on or with the product.
- Pass these mounting instructions as well as all other product-related documents on to all owners of the product.
- If you feel that these mounting instructions contain errors, inconsistencies, ambiguities or other issues, contact the manufacturer prior to using the product.

These mounting instructions are protected by copyright and may only be used as provided for by the corresponding copyright legislation. We reserve the right to modifications.

The manufacturer shall not be liable in any form whatsoever for direct or consequential damage resulting from failure to observe these mounting instructions or from failure to comply with directives, regulations and standards and any other statutory requirements applicable at the installation site of the product.

## 1.2 Intended use

The product is a partly complete machine pursuant to Directive 2006/42/EU, articles 1g and 2g. The product is only intended to be incorporated into or assembled with other machinery or other partly completed machinery or equipment, thereby forming machinery to which Directive 2006/42/EU applies.

The product may only be used within the limits specified in these mounting instructions and in the applicable documents. The applicable documents are also part of the product.

The machinery must not be put into service until the machinery into which the product has been incorporated has been determined and declared in conformity with the provisions of Directive 2006/42/EU and with all other applicable directives and regulations.

In addition, perform a risk assessment in view of the planned application, according to an approved risk assessment method, and implement the appropriate safety measures, based on the results of the risk assessment. Take into account the consequences of installing or integrating the product into a system or a plant.

When using the product, perform all work and all other activities in conjunction with the product in compliance with the conditions specified in the mounting instructions, in the applicable documents, and on the nameplate, as well as with all directives, standards, and safety regulations applicable at the installation site of the product.

### 1.3 Predictable incorrect application

Any use of the product beyond the explicitly indicated intended use is an impermissible, incorrect application of the product.

The product must never be used in the following cases, under the following conditions, and for the following purposes:

- Operation in residential environments
- Operation in life-supporting systems
- Operation in potentially explosive atmospheres/hazardous areas
- Operation on ships, in rail vehicles, land craft or in aircraft
- Operation in military facilities
- Operation outside of the specified order data
- Applications involving transportation of persons (fairground rides)

### 1.4 Applicable documents

In addition to these mounting instructions, the following documents are binding for and apply to any type of use of the product:

- Order data (including, but not limited to, design data, load data, performance data, transportation and storage instructions, information attached to the product and the package, as well as other specifications).
- Documentations of the manufacturers of all products belonging to the scope of delivery (for example, motor, accessories, attachment parts). This includes, among other things:

Type of manual	Type	Manufacturer	Delivery	
			Paper format	Electronic
Safety data sheet	Lubricant LE-Spezialfett Synt EP 2	HERM GmbH & Co. KG	-	X
Operating instructions	Encoder BML-S1H...	Balluff GmbH	-	X
In the case of delivery with WEISS GmbH controller/software package:			Delivery	
			Paper format	Electronic
User manual	"W.A.S. 2 COMPACT" TD0079A-XX00-0000-00	WEISS GmbH	-	X
User manual	"W.A.S. 2 SCALABLE" TD0081A-XX00-0000-00	WEISS GmbH	-	X
Electrical documenta- tion	List of applicable documents, per product (see documents on the CD delivered with the product)	WEISS GmbH	-	X



## 1.5 Warranty

See our website for our General Terms and Conditions at [www.weiss-international.com](http://www.weiss-international.com) or your purchase order.

## 2 Safety

### 2.1 Safety messages and hazard categories

These mounting instructions contain safety messages to alert you to potential hazards and risks. Safety messages in these mounting instructions are highlighted with warning symbols and warning words.

The signal word describes the source of the hazard. The text contains instructions on how to avoid the hazard as well as the consequence resulting from failure to follow the instructions given in the safety message.

Depending on the severity of a hazard, the safety messages are classified according to different hazard categories.



#### **⚠ DANGER**

DANGER indicates an immediately hazardous situation, which, if not avoided, will result in death or serious injury.



#### **⚠ WARNING**

WARNING indicates a hazardous situation, which, if not avoided, can result in death or serious injury or equipment damage.



#### **⚠ CAUTION**

CAUTION indicates a hazardous situation, which, if not avoided, can result in injury or equipment damage.

#### **NOTICE**

NOTICE indicates a hazardous situation, which, if not avoided, can result in equipment damage.

In addition to the instructions and safety messages provided in these mounting instructions, you must comply with all directives, standards, and safety regulations applicable at the installation site of the product.



## 2.2 Hazard symbols

The following symbols are used in these mounting instructions:



This is the general safety alert symbol. It alerts to injury hazards or equipment damage. Comply with all safety instructions in conjunction with this symbol to help avoid possible death, injury, or equipment damage.



This symbol alerts to hazardous electrical voltage. If this symbol is used in a safety message, there is a hazard of electric shock.

Hazard symbols may also be attached to the product.



Hazard of hot surface



Hazard of magnetic field



No access for persons with heart pacemakers or other medical implants

## 2.3 Responsibilities of the system integrator and/or operator

The system integrator (the person who incorporates the product in a machine pursuant to Directive 2006/42/EU, i.e., for example, the machine builder) and/or the operator must ensure the following:

- The application and use of the product must be limited to the specified intended use.
- In the integration of the product, all functional safety requirements must be met.
- All directives, standards, and safety regulations, including all regulations concerning workplace safety and prevention of accidents, applicable at the installation site of the product must be complied with.
- Any type of work whatsoever on and with the product may only be performed by qualified personnel.
- The product may only be operated when it is in flawless, fully functional condition.
- All safety equipment must operate as required and planned.
- The personal protective equipment for the personnel/operator must be available and must be used.
- The mounting instructions and all applicable documents must always be accessible in their entirety to the personnel at the installation site of the product.
- Safety instructions, labels, and any other information attached to the product must not be removed.
- A complete manual must be available for the machine into which the product is incorporated; this manual must describe all types of work on and with the machine and contain all information relevant with regard to the product.

If the system integrator himself is not in the position to comply with any of these obligations, the system integrator must impose compliance with these obligations on the operator.

## 2.4 Qualification of personnel

Only trained personnel who have fully read and understood the mounting instructions and all applicable documents for the product may perform work on and with the product.

This trained personnel must have sufficient technical training, knowledge, and experience, and be able to foresee and detect potential hazards that may be caused by using the product.

All trained personnel working on and with the product must be fully familiar with all directives, standards, and safety regulations that must be observed for performing such work.

## 2.5 Hazards caused by strong magnetic fields

The magnetic attraction of the motor components containing permanent magnets increases with decreasing distance and can be higher than several kN in the hazardous exposure range (distance less than 100 mm).



### ⚠ DANGER

#### ELECTRIC SHOCK

Each movement of electrically conductive materials vis à vis permanent magnets results in inductive voltage.

**Failure to follow these instructions will result in death or serious injury.**

- Avoid any movement of components with permanent magnets vis à vis electrically conductive materials in vice versa.



### ⚠ WARNING

#### ELECTROMAGNETIC FIELDS

**Failure to follow these instructions can result in death, serious injury, and equipment damage.**



- Verify compliance with all international, national, and local directives, standards, and safety regulations, including all regulations concerning workplace safety and prevention of accidents, with regard to strong magnetic fields.
- Take all necessary measures to ensure that persons with active medical implants (such as heart pacemakers or insulin pumps), metal implants, and magnetically or electrically conductive objects are not exposed to the magnetic fields generated by the product.
- Do not operate devices in the vicinity of the product which are sensitive to electromagnetic emission.
- Verify that a distance to the product of at least 15 cm is kept.



### ⚠ WARNING

#### FORCES OF ATTRACTION ACTING ON MAGNETIZABLE MATERIALS

**Failure to follow these instructions can result in death, serious injury, and equipment damage.**

- Verify that you do not move objects consisting of magnetizable materials (such as watches, steel or iron tools) and/or permanent magnets into the hazardous exposure range of a component containing a permanent magnet.
- The following must be available to free trapped parts of the body in case of accidents during work with permanent magnets:
  - Hammer (approx. 3 kg) made of solid, non-magnetizable material
  - Two pointed wedges (wedge angle approx. 10 ° to 15 °) made of solid, non-magnetizable material

**NOTICE**

**LOSS OF DATA AND DAMAGE TO ELECTRONIC EQUIPMENT**

**Failure to follow these instructions can result in equipment damage.**

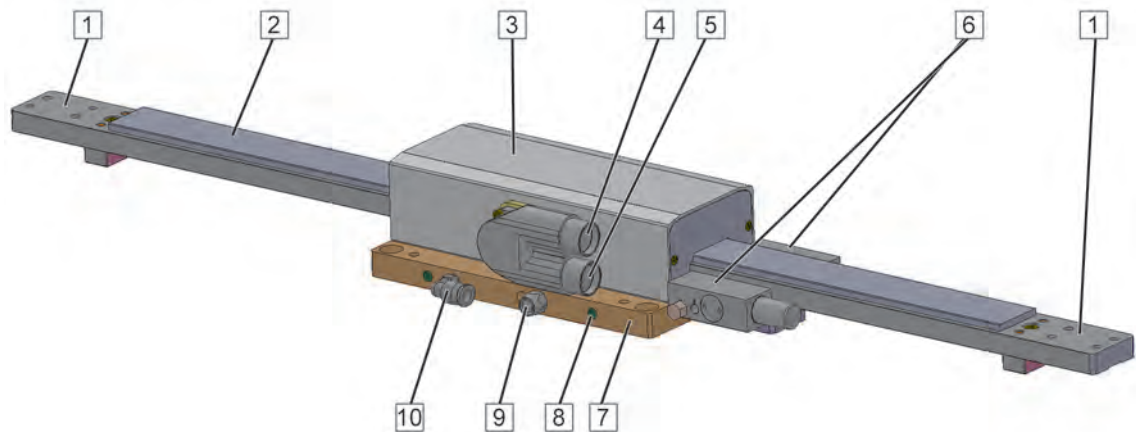
- Do not allow electronic devices which are sensitive to magnetic attraction forces in the vicinity of the product.
-

### 3 Product description

#### 3.1 Overview

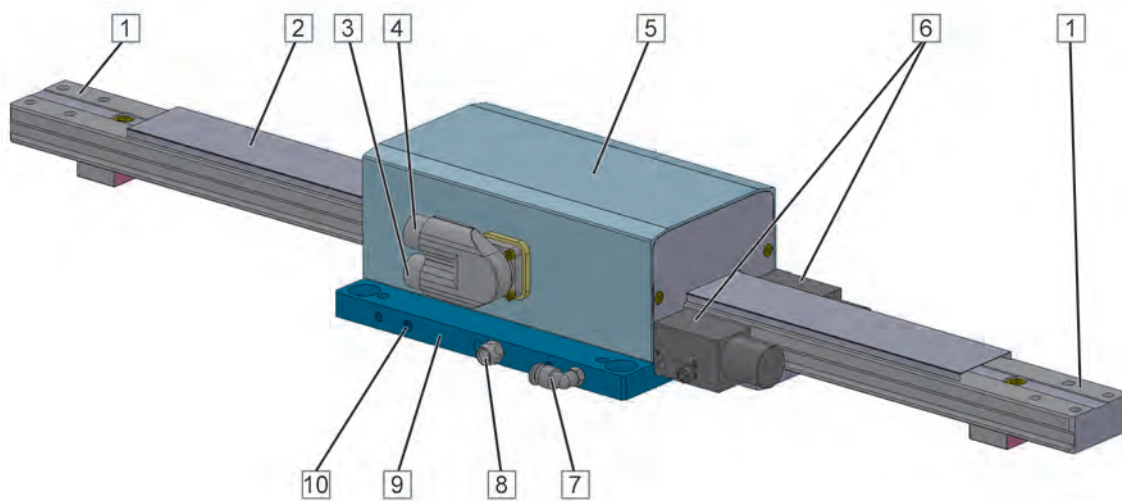
The product consists of the following components:

Product type: HL0050A



- |   |   |
|---|---|
| <p><b>1</b> Mounting surface for customer-specific components</p> <p><b>2</b> Secondary</p> <p><b>3</b> Primary</p> <p><b>4</b> Connection motor cable</p> <p><b>5</b> Connection encoder cable</p> | <p><b>6</b> Holding brake (optional)</p> <p><b>7</b> Mounting flange wide or narrow (optional)</p> <p><b>8</b> Connection protective ground conductor</p> <p><b>9</b> Connection pneumatic valve for holding brake (optional)</p> <p><b>10</b> Lubrication connection</p> |
|---|---|

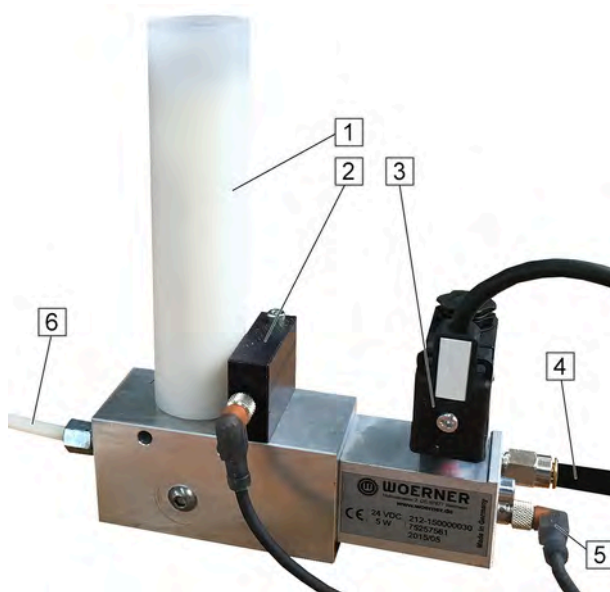
Product type: HL0100A



- |   |   |
|---|---|
| <p><b>1</b> Mounting surface for customer-specific components</p> <p><b>2</b> Secondary</p> <p><b>3</b> Connection encoder cable</p> <p><b>4</b> Connection motor cable</p> <p><b>5</b> Primary</p> | <p><b>6</b> Holding brake (optional)</p> <p><b>7</b> Lubrication connection</p> <p><b>8</b> Connection pneumatic valve for holding brake (optional)</p> <p><b>9</b> Mounting flange wide or narrow (optional)</p> <p><b>10</b> Connection protective ground conductor</p> |
|---|---|

### 3.1.1 Overview "Automatic lubrication pump" (optional)

The automatic lubrication pump consists of the following components:



- |   |                  |   |   |
|---|------------------|---|---|
| 1 | Grease cartridge | 4 | Pneumatic supply  |
| 2 | Level sensor     | 5 | Function monitoring   |
| 3 | Pneumatic valve  | 6 | Lubrication hose (optionally available with two lubrication hose connections) |

### 3.2 Function description

The secondary performs linear movements along the specified stroke lengths. The product is available in different versions (stroke lengths).

The motor of the product is controlled by a servo drive. The integrated encoder provides for high positioning accuracy and repeatability.

To reduce the maintenance, the product can be equipped with an optional automatic lubrication pump.

For commissioning, parameterization and diagnostics, the product can be operated with the WEISS Application Software (W.A.S. 2).

### 3.3 Nameplate

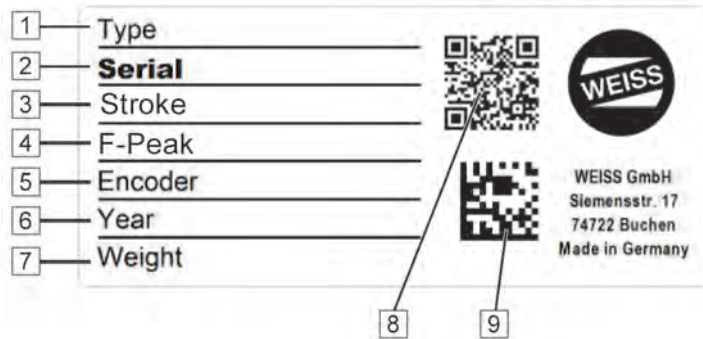


Figure 1: Example of nameplate

- |   |               |   |                           |
|---|---------------|---|---------------------------|
| 1 | Type          | 6 | Year of manufacture       |
| 2 | Serial number | 7 | Weight                    |
| 3 | Stroke length | 8 | QR code (company website) |
| 4 | Peak force    | 9 | DM code (serial number)   |
| 5 | Encoder       |   |                           |

The scope of delivery contains a second nameplate. If the factory-mounted nameplate is covered by attachments, the second nameplate can be attached at a readily visible position of the product or machine for identification of the product.

### 3.4 Type code

Structure of the type code:

Type	Size	Encoder	Plug connection	Holding brake
HL	0050A 0100A	A (Incremental) B (Absolute BiSS) C (Absolute SSI)	A	A (without holding brake) B (with holding brake)



### 3.5 Mounting positions

**NOTICE**

**EQUIPMENT DAMAGE DUE TO INCORRECT MOUNTING POSITION**

Failure to follow these instructions can result in equipment damage.

- Verify that you only use the standard mounting positions approved in these mounting instructions.
- Only use special mounting positions if such special mounting positions have been approved by the manufacturer in writing.

**Permissible standard mounting positions**

The product may only be mounted as shown below.



Horizontal



Upside down



Vertical



At any angle

## 4 Technical data

### 4.1 General

Characteristic	Unit	Value	
		HL0050A	HL0100A
Stroke (depending on type, see nameplate)	mm	150 - 400	150 - 490
Stroke reduction if holding brake is used	mm	50	40
Repeatability (at a constant temperature of 20 °C)	mm	0.005	0.005
Temperature sensor	-	PTC switch	PTC switch
Maximum load	kg	4	8
Weight	kg	See nameplate	
Total weight including packaging	kg	See bill of delivery	
Sound pressure	dB(A)	< 70	
Lubricant	-	LE-Spezialfett Synt EP 2	

### 4.2 Motor

Characteristic	Unit	Value	
		HL0050A	HL0100A
Pole width	mm	27.6	26
Voltage constant (rms)	V/(m/s)	23	33
Maximum acceleration	m/s <sup>2</sup>	40	40
Maximum velocity	m/s	4	4
Nominal force	N	65	150
Peak force	N	180	380
Force constant	N/A <sub>rms</sub>	35	43
Nominal current	A	2.5	3.6
Peak current	A	6	9.5
Winding cross section	mm <sup>2</sup>	0.176	0.2827
Stator resistance at 20 °C*	Ohm	7.5	8
Stator inductance*	Henry	0.0212	0.048

\* Measured between phase and phase (star connection)

### 4.3 Holding brake (optional)

Characteristic	Unit	Value	
		HL0050A	HL0100A
Nominal current	A	0.05	0.05
Braking force	N	145	350
Releasing pressure	bar	4	4
Time delay for applying the clamping system	sec	0.3	0.3
Time delay for releasing the clamping system	sec	0.3	0.3

### 4.4 Encoder

#### Absolute BiSS

Characteristic	Unit	Value
		HL < 500 mm stroke
		Balluff BML-S1H - 19 bits
Supply voltage	V	5 ± 5 %
Absolute signals	-	BiSS
Resolution	/mm	1024
BiSS cycle frequency	MHz	2 ... 10
Coding	-	Binary code
CRC	hex	0 x 43
Number of data bits	-	19
Number of error bits	-	0
Number of zero bits	-	2
Order of data	-	Position: 19 Zero bit: 2
Incremental signals	V <sub>pp</sub>	sin/cos 1
Signal period	mm	1

**Absolute SSI**

Characteristic	Unit	Value	
		HL < 500 mm stroke	
		Balluff BML-S1H - 19 bits	Balluff BML-S1H - 19 bits
Option		Parameterization BOSCH	Parameterization Siemens
Supply voltage	V	5 ± 5 %	
Absolute signals	-	SSI	
Resolution	/mm	1024	1024
SSI cycle frequency	kHz	400	100
Monoflop time	µs	4	16
Coding	-	Binary code	
Number of data bits	-	19	19
Number of error bits	-	0	0
Number of zero bits	-	2	2
Order of data	-	Position: 19 Zero bit: 2	Position: 19 Zero bit: 2
Incremental signals	V <sub>pp</sub>	sin/cos 1	
Signal period	mm	1	1

**4.5 Climatic environmental conditions "Operation"**

Characteristic	Unit	Value
Ambient temperature	°C	+15 ... +45
Relative humidity, non-condensing	%	+5 ... +95
Maximum surface temperature	°C	80
Maximum installation altitude above mean sea level	m	1000

**4.6 Climatic environmental conditions "Transportation and Storage"**

Characteristic	Unit	Value
Ambient temperature	°C	+5 ... +55
Relative humidity, non-condensing	%	+5 ... +95
Maximum storage duration of the mechanical components	-	<a href="#">see chapter 7</a>

## 4.7 Dimensions

Product type: HL0050A

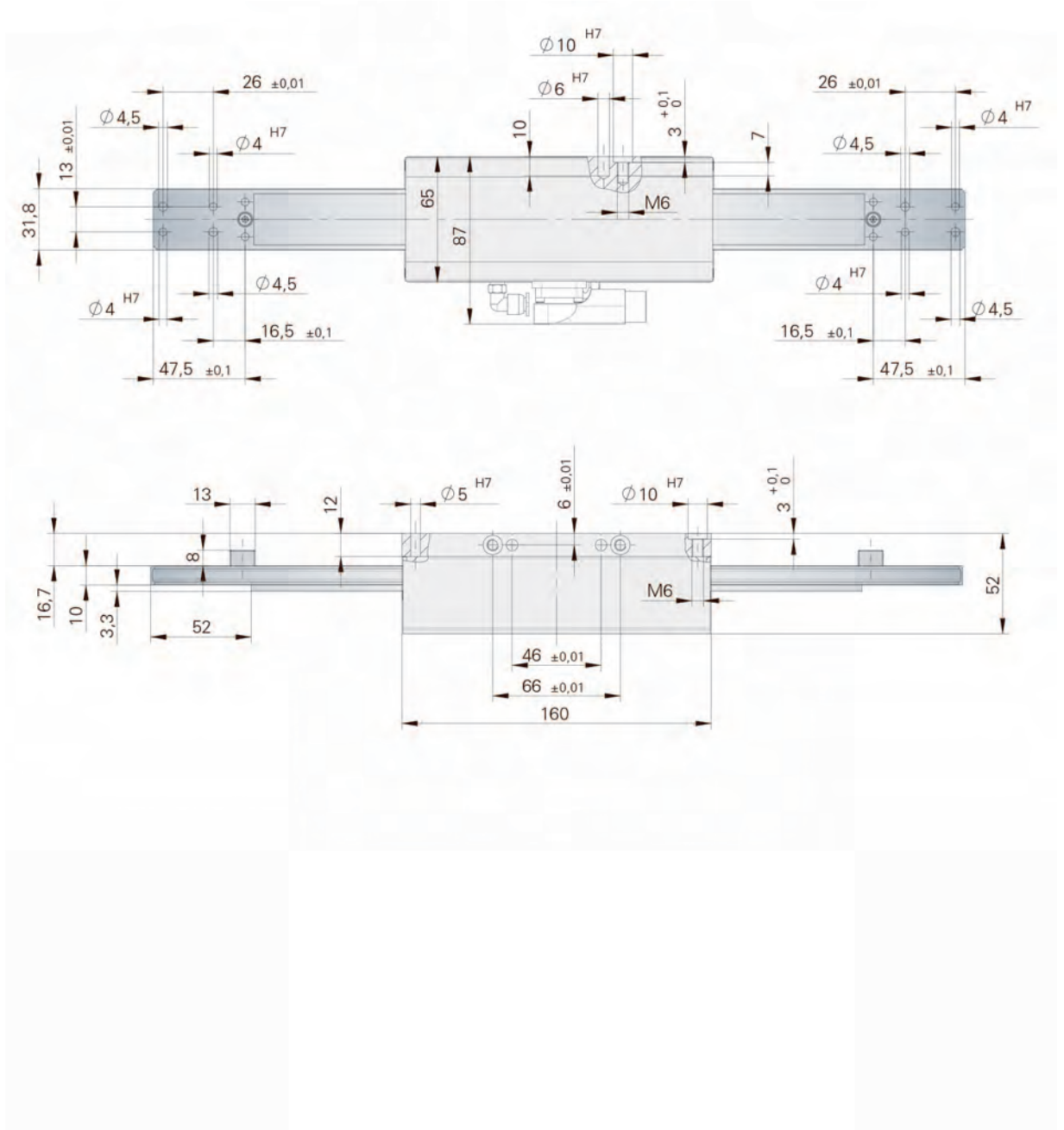


Figure 2: Lengths and diameters in mm

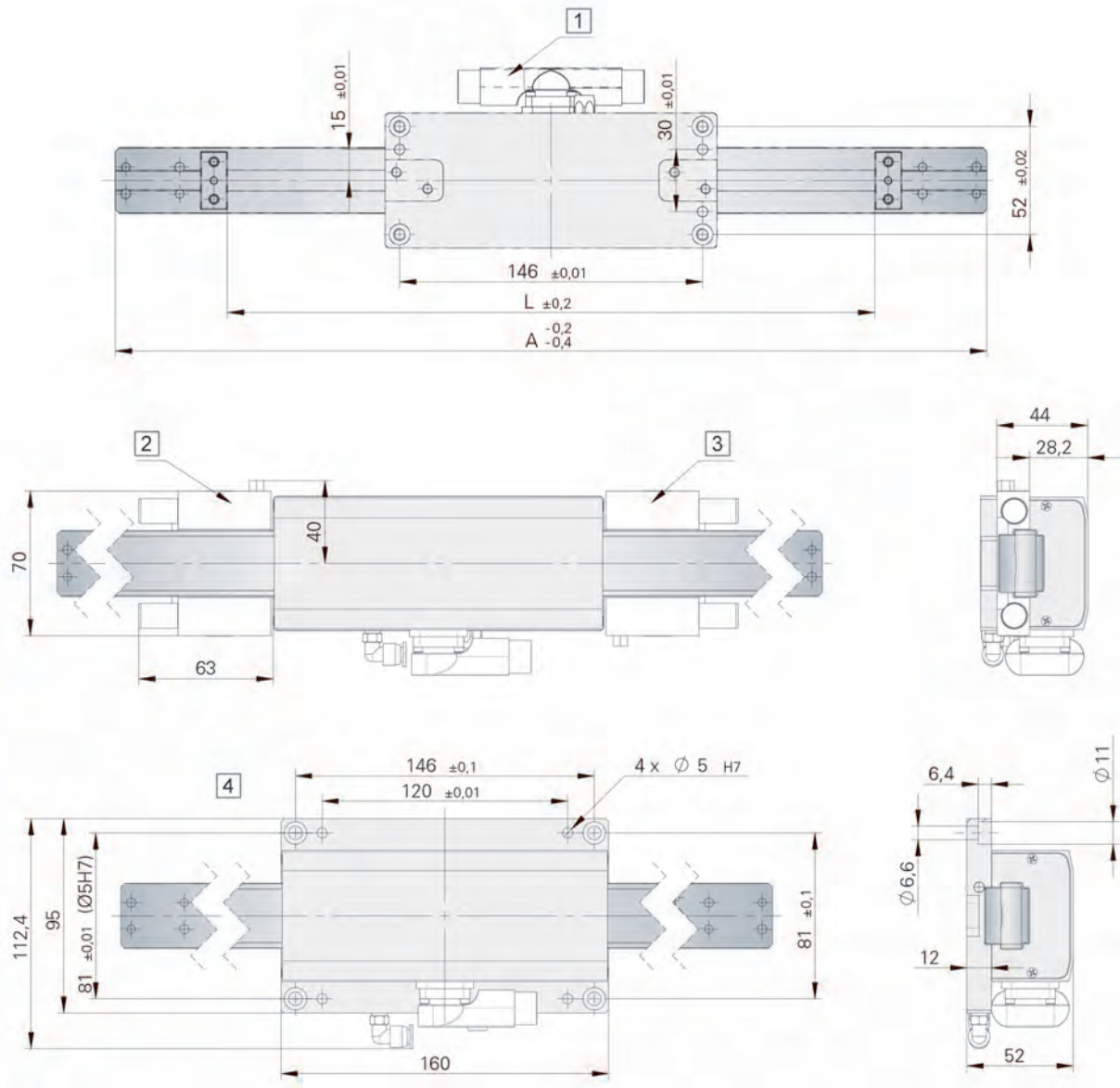


Figure 3: Lengths and diameters in mm

- |   |   |
|---|---|
| <p>1 Rotatable combination connector</p> <p>2 Holding brake left (optional)</p> | <p>3 Holding brake right (optional)</p> <p>4 Wide flange (optional)</p> |
|---|---|

Product type: HL0100A

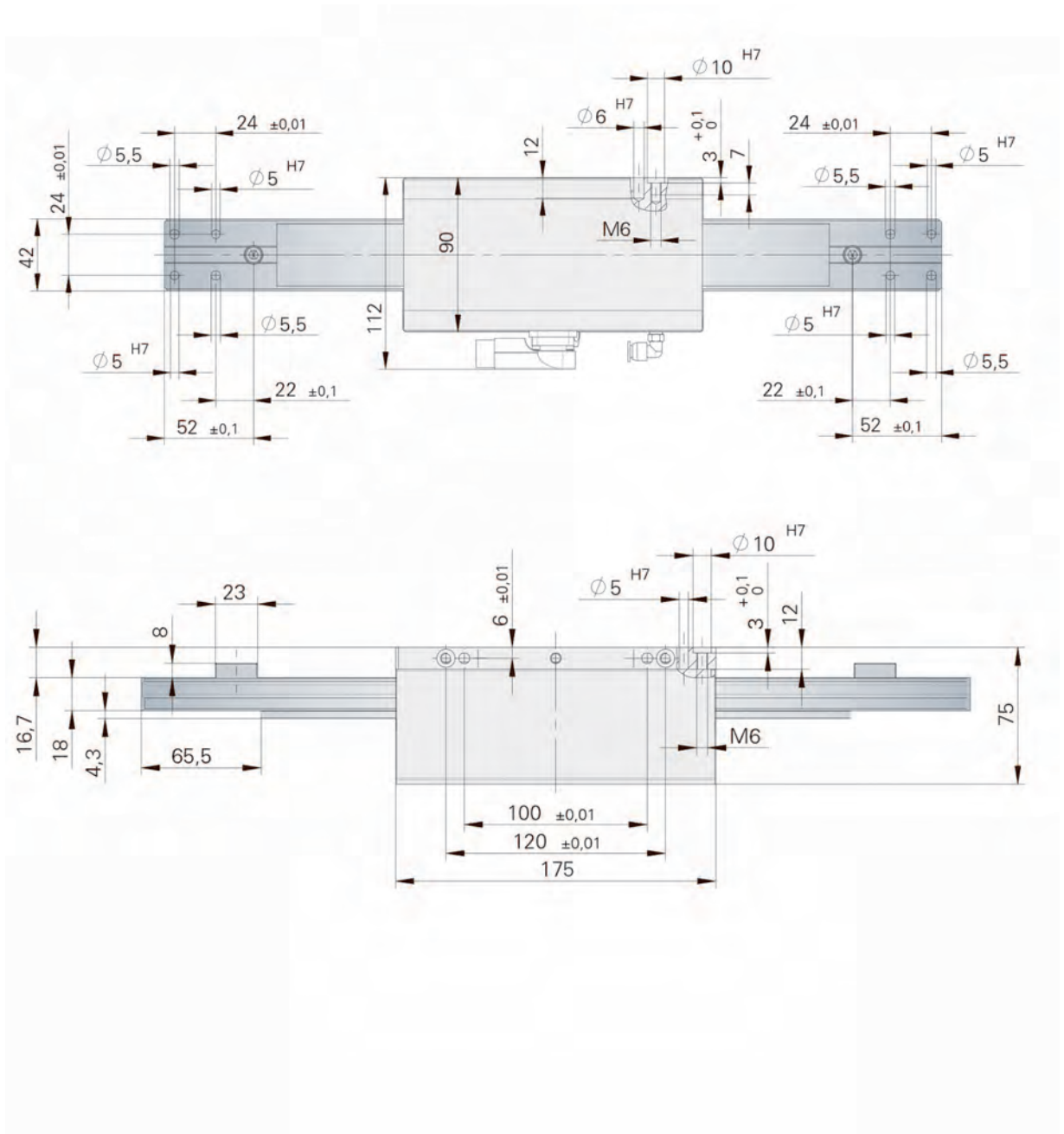


Figure 4: Lengths and diameters in mm

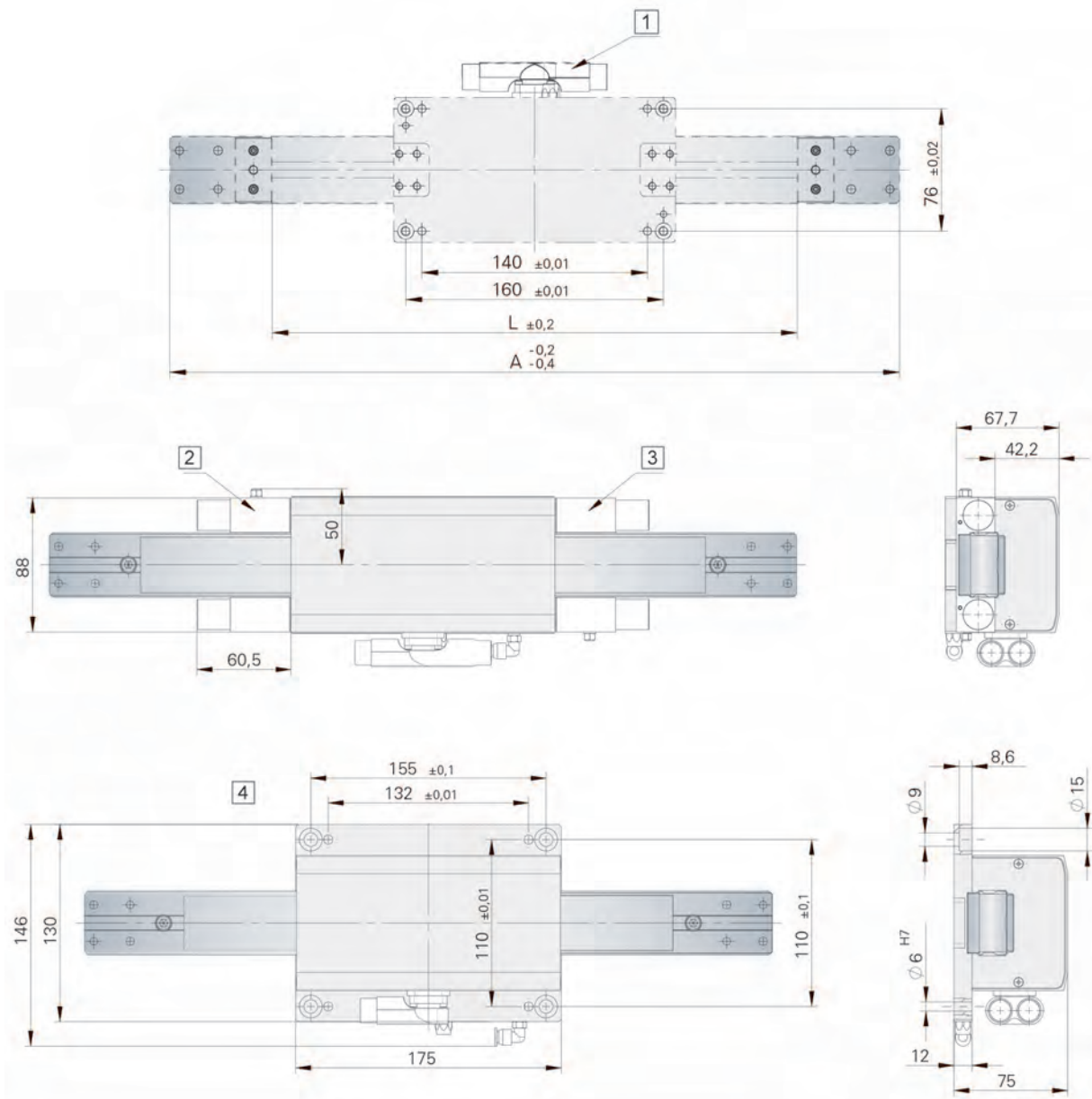


Figure 5: Lengths and diameters in mm

- |   |                                 |   |                                |
|---|---------------------------------|---|--------------------------------|
| 1 | Rotatable combination connector | 3 | Holding brake right (optional) |
| 2 | Holding brake left (optional)   | 4 | Wide flange (optional)         |



### 4.7.1 Dimensions "Automatic lubrication pump" (optional)

With one lubrication hose connection

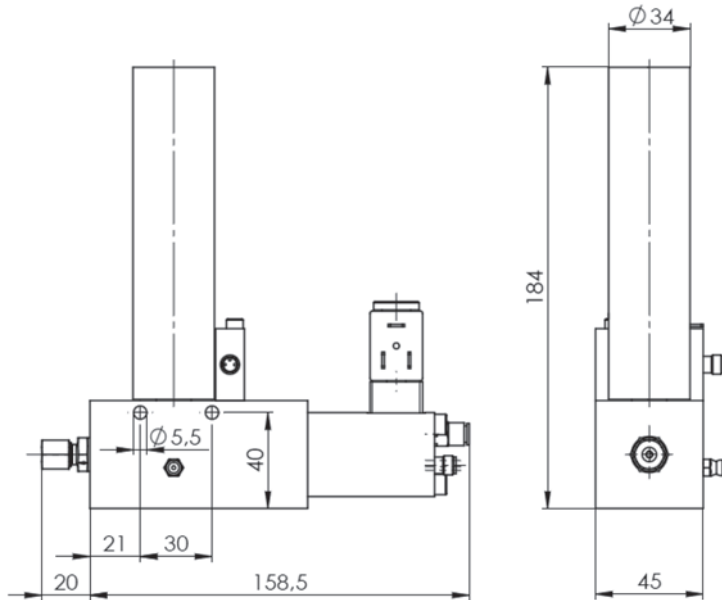


Figure 6: Lengths and diameters in mm

With two lubrication hose connections

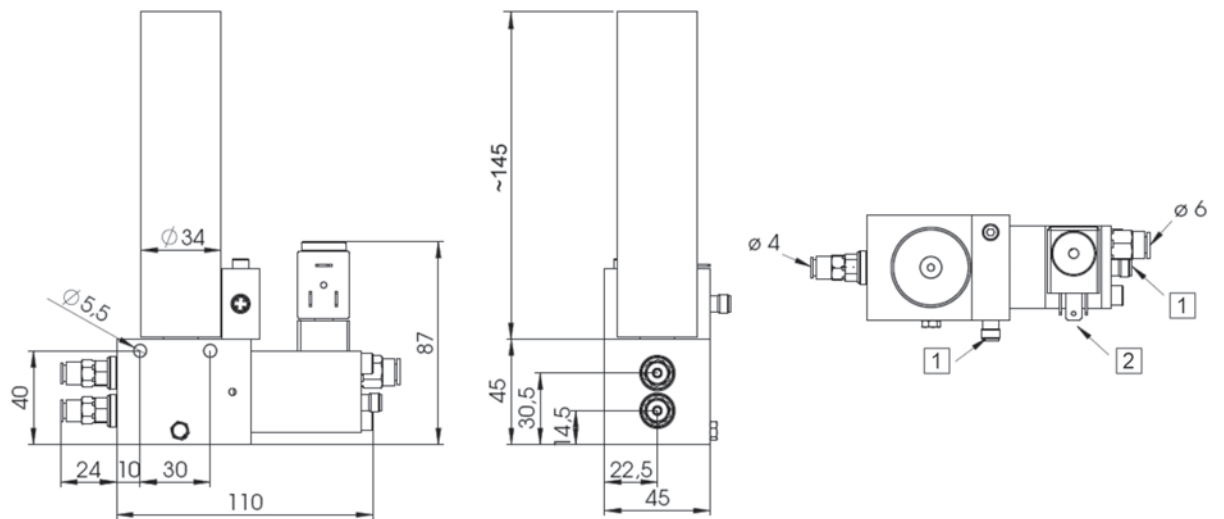


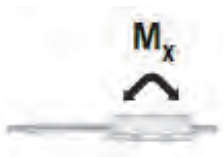




Figure 7: Lengths and diameters in mm

1 M8 - 3-pin

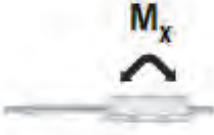




2 Valve, type B

## 4.8 Load data

### Static load data

Characteristic	Representation	Unit	Value	
			HL0050A	HL0100A
Maximum static moment around the X axis		Nm	200	350
Maximum static moment around the Y axis		Nm	50	100
Maximum static moment around the Z axis		Nm	300	500
Maximum static force in the X axis		N	500	800
Maximum static force in the y axis	-	N	-	-
Maximum static force in the z axis		N	200	400

**Dynamic load data**

Characteristic	Representation	Unit	Value	
			HL0050A	HL0100A
Maximum dynamic torque around the X axis		Nm	20	35
Maximum dynamic torque around the Y axis		Nm	10	15
Maximum dynamic torque around the Z axis		Nm	30	40
Maximum dynamic force in the X axis		N	90	150
Maximum dynamic force in the Y axis	-	N	-	-
Maximum dynamic force in the Z axis		N	60	100

## 5 Packaging

### 5.1 Types of packaging



#### **Packaging in Europe**

The product is factory-packaged in film and screwed onto a pallet. The pallet is packaged in a cardboard box.

#### **Packaging for air and sea freight**

The product is factory-packaged in Corpac-co-ex-VCI film, screwed onto a pallet, packed into a special cardboard box with wooden struts and the interstices are filled with foam plastic material.

### 5.2 Unpacking the product

1. Do not remove the packaging until immediately prior to mounting.
2. Dispose of the packaging material in compliance with all directives, standards, and safety regulations applicable at the installation site.

### 5.3 Verification of the delivery

- Check the delivery for completeness and transportation damage upon reception.
- In the case of damage, reject the delivery or accept it only conditionally.
- Document the damage in the transportation documents/bill of delivery (any damage detected must be immediately reported to the forwarding agent and confirmed by the forwarding agent).
- Take photographs of the damage.
- Report the damage to WEISS GmbH.

## 6 Transportation



### ▲ WARNING

#### **FALLING, TOPPLING, OR LOWERING LOADS**

Insufficiently rated load lifting and handling equipment may break. Transportation vehicles, lifting gear, chains, belts, and other equipment not rated for the product may fail or tilt.

**Failure to follow these instructions can result in death, serious injury, and equipment damage.**

- Only use transportation vehicles, lifting gear, chains, belts, and other lifting and handling equipment that comply with all applicable regulations and that are rated for the weight of the product including packaging.
- Verify that there are no persons in the danger zone.
- Verify that the product is properly secured against falling and toppling.

### 6.1 Transporting the product

Packages fastened to a pallet can be transported with a fork lift truck, a pallet jack or similar transportation means. Verify that the transportation means used is suitable and approved for the weight and the dimensions of the package.



1. Place the forks below the pallet.
2. Verify that the pallet with the package fully rests on the forks.
3. Fasten the pallet with the package using additional straps if the center of gravity is not in the center of the pallet.

## 7 Storage

### 7.1 Storing the product



#### ⚠ CAUTION

##### **STRONG MAGNETIC FIELDS**

The permanent magnets of the magnet way generate magnetic fields. The magnetic attraction forces considerably increase in the range of hazardous exposure (distance of less than 100 mm). Magnetizable materials, but also the linear motor axes, are attracted with high forces.

**Failure to follow these instructions can result in injury or equipment damage.**

- Transport and store the products separately.
- Do not stack the products.
- Verify that separating tools are available for emergencies.

#### NOTICE

##### **INCORRECT STORAGE**

**Failure to follow these instructions can result in equipment damage.**

- Verify compliance with all conditions specified in these mounting instructions and all applicable documents when storing the product.

The mechanical components of the product can be stored for a period of up to two years.

Conditions for the specified maximum storage duration:

- Storage in original packaging
- Compliance with all specified storage conditions
- Storage in suitable closed, dry, dust-free room, protected against direct sunlight
- No contact with corrosive media
- Corrosion protection intact

The electrical components (for example, the encoder) have a different maximum storage duration (see documentations of the manufacturers).

If the maximum storage duration has been exceeded, you must contact the manufacturer prior to commissioning the product. This also applies if the machine in which the product has been incorporated has not been operated for a period of time exceeding the maximum storage durations specified for the mechanical and electrical components.

If you plan to store the product for a period of time exceeding the maximum permissible storage duration specified for the mechanical components, you must uninstall the electrical components prior to storing the product. The electrical components must be stored according to the specifications of the manufacturers (see documentations of the manufacturers).

If the product is to be stored for a period of more than three months, the product must first be preserved. If the factory-applied anti-corrosion agent is no longer intact, you must request preservation instructions from the manufacturer.

## 8 Mounting

### 8.1 Prerequisites for mounting

Prior to mounting, verify that the dimensions of the installation site and construction conditions meet the requirements and the dimensions specified in these mounting instructions and the applicable documents.

- Verify that the supporting base is level and rigid.
- Verify that the supporting structure at the installation site has a sufficient structural strength to carry the weight of the product and of all loads.

### 8.2 Equipment and tools

The following is required for mounting:

- Torque wrench
- Set of hex keys
- Standard solvent
- Cotter pin punch (for mounting the locating pins)

### 8.3 Tightening torques and property classes

Only use screws with the property class shown in the following table unless a different property class is explicitly specified for a screw connection.

Use the tightening torque shown in the following table unless a different tightening torque is explicitly specified for a screw connection.

Property class of screws	10.9			
Thread	M5	M6	M8	M10
Tightening torque	8 Nm	14 Nm	34 Nm	68 Nm

### 8.4 Bolting down the product



#### **⚠ WARNING**

#### **IMPROPERLY FASTENED PARTS**

**Failure to follow these instructions can result in death, serious injury, and equipment damage.**

- Verify that the supporting structure and/or the frame and/or the mounting surface for fastening the product are sufficiently rated to withstand all static and dynamic loads and forces during operation.
- Verify that the fastening parts comply with the specifications indicated and that they are sufficiently rated for all load conditions during operation.



### ⚠ WARNING

#### ELECTROMAGNETIC FIELDS

**Failure to follow these instructions can result in death, serious injury, and equipment damage.**



- Verify compliance with all international, national, and local directives, standards, and safety regulations, including all regulations concerning workplace safety and prevention of accidents, with regard to strong magnetic fields.
- Take all necessary measures to ensure that persons with active medical implants (such as heart pacemakers or insulin pumps), metal implants, and magnetically or electrically conductive objects are not exposed to do the magnetic fields generated by the product.
- Do not operate devices in the vicinity of the product which are sensitive to electromagnetic emission.
- Verify that a distance to the product of at least 15 cm is kept.



### ⚠ CAUTION

#### STRONG MAGNETIC FIELDS

The permanent magnets of the magnet way generate magnetic fields. The magnetic attraction forces considerably increase in the range of hazardous exposure (distance of less than 100 mm). Magnetizable materials, but also the linear motor axes, are attracted with high forces.

**Failure to follow these instructions can result in injury or equipment damage.**

- Transport and store the products separately.
- Do not stack the products.
- Verify that separating tools are available for emergencies.

### NOTICE

#### HARMFUL EXTERNAL INFLUENCES

**Failure to follow these instructions can result in equipment damage.**

- Verify that the magnet way does not come into contact with magnetized objects.
- Do not subject the magnet way to mechanical impact.
- If you mount several products, avoid any contact between the magnet ways of the products.

### NOTICE

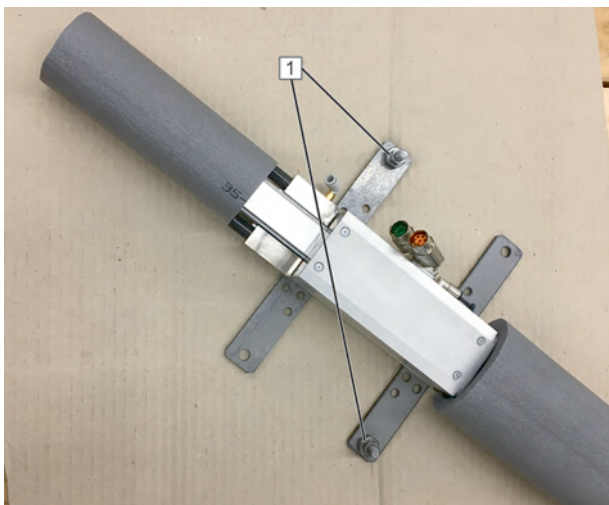
#### HARMFUL EXTERNAL INFLUENCES

**Failure to follow these instructions can result in equipment damage.**

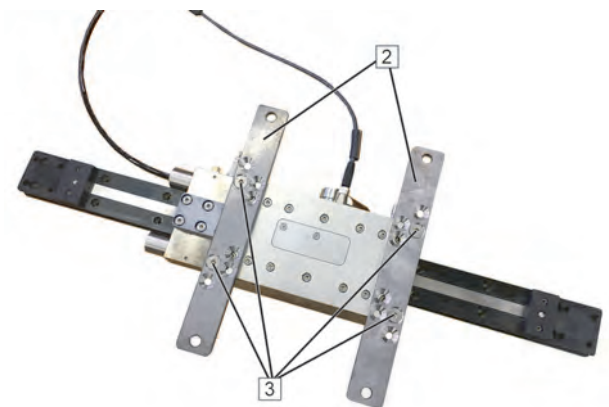
- Verify that the product is protected against impermissible loads and contamination (such as mechanical loads, temperature, humidity, corrosive atmosphere).
- Avoid any contact of the magnet way and the scale with magnetic or metal objects.



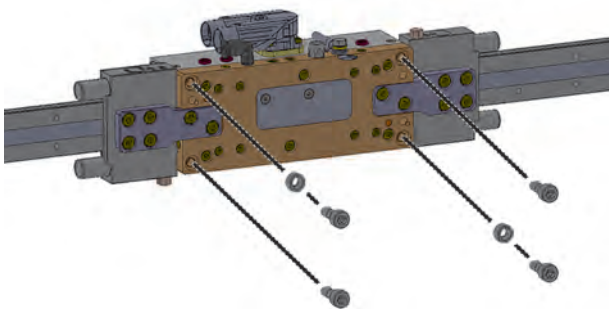
Mounting



1. Remove the screws [1] of the two packaging bars used to fasten the product to the palette.
2. Remove the product from the cardboard box.



3. Remove the two packaging bars [2] from the product by removing the screws [3].

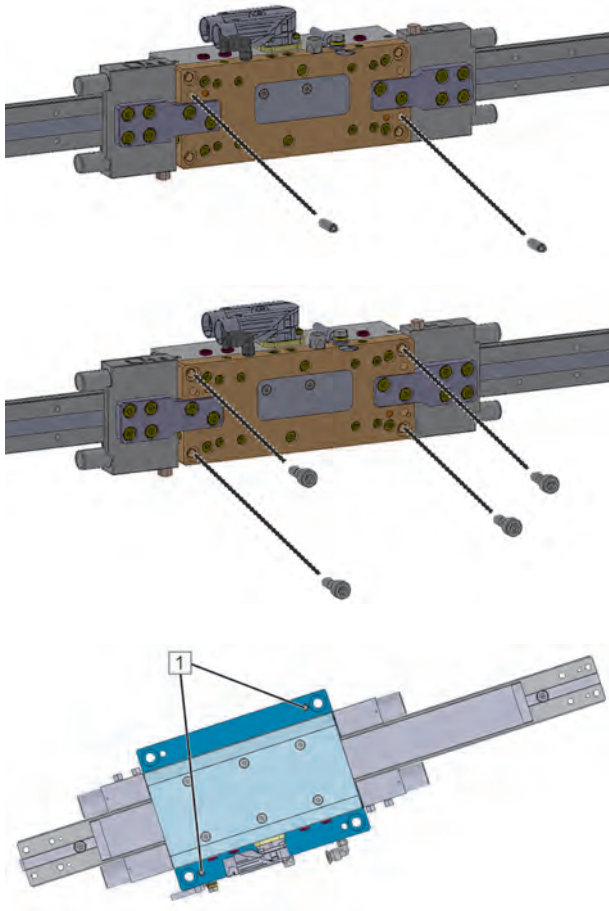


**For product type: HL0050A**

Use M6 screws with the property class specified to mount the product. When determining the length of the screws, take into account the loads and forces acting in your application as well as the characteristics of the supporting structure to which the product is mounted.

**Mounting with centering elements and screws**

1. Place the product at the mounting site in compliance with the transportation instructions and align it according to the mounting surface.
2. Use two centering elements (diagonal mounting) for aligning the product.
- ✓ The centering elements are part of the scope of delivery.
3. Screw in four screws (M6) and tighten the (M6) screws cross-wise.



**Mounting by means of locating pins and screws**

1. Place the product at the mounting site in compliance with the transportation instructions and align it according to the mounting surface.
2. Drive the two locating pins into the flange.
3. Screw in four screws (M6) and tighten the (M6) screws cross-wise.

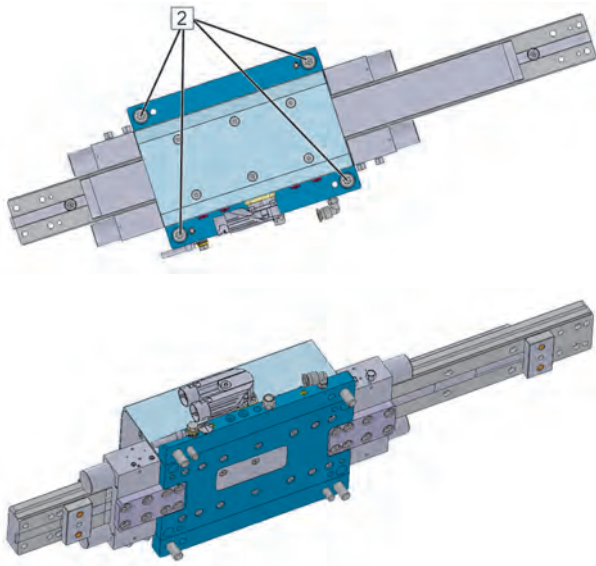
**For product type: HL0100A**

Use M8 screws with the property class specified to mount the product. When determining the length of the screws, take into account the loads and forces acting in your application as well as the characteristics of the supporting structure to which the product is mounted.

**Mounting by means of locating pins and screws**

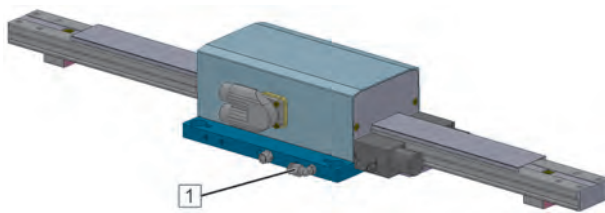
1. Place the product at the mounting site in compliance with the transportation instructions and align it according to the holes at the mounting surfaces.
2. Drive in the two locating pins (M6) [1] (positive fit).

Mounting



3. Screw in four screws (M8) [2] and tighten all screws (M8) [2] cross-wise.

### 8.5 Connecting the lubrication hose (for optional automatic lubrication)



- ✓ Ensure that the lubrication hose is completely bled prior to mounting.
  - ✓ Make sure that the length of a replacement lubrication hose does not exceed 2 m.
1. Connect the lubrication hose to connection [1].

## 8.6 Mounting additional components



### ⚠ WARNING

#### IMPROPERLY FASTENED PARTS

**Failure to follow these instructions can result in death, serious injury, and equipment damage.**

- Verify that the supporting structure and/or the frame and/or the mounting surface for fastening the product are sufficiently rated to withstand all static and dynamic loads and forces during operation.
- Verify that the fastening parts comply with the specifications indicated and that they are sufficiently rated for all load conditions during operation.



### ⚠ CAUTION

#### INCORRECT MOUNTING OF ADDITIONAL COMPONENTS

**Failure to follow these instructions can result in injury or equipment damage.**

- Only mount components to the carriage/primary that are approved by the manufacturer.
- Only use existing holes in the drive carriage/primary for mounting additional components to the drive carriage/primary.
- Do not drill holes into the drive carriage/primary.

## 8.7 Mounting safety equipment

The product is a partly complete machine pursuant to Directive 2006/42/EU and intended to be incorporated into or assembled with other machinery. The requirements concerning functional safety and the corresponding safety equipment result from the risk analysis and the risk assessment for the final machine or plant.

Selection, mounting, installation, commissioning, operation and maintenance of the safety equipment must be performed by the system integrator (the person who incorporates the product in a machine pursuant to Directive 2006/42/EU, i.e., for example, the machine builder) and/or the operator.

The product requires at least the following safety equipment:

- Emergency Stop system as per IEC 60204-1 / ISO 13850
- Lockable main switch to interrupt the complete power supply to all electrical components of the product

## 9 Electrical connection



### **⚠ DANGER**

#### **ELECTRIC SHOCK CAUSED BY LIVE PARTS**

**Failure to follow these instructions will result in death or serious injury.**

- Disconnect the mains supply voltage before performing the work and ensure that it cannot be switched on.
- Verify that no hazards can be caused by electrically conductive objects.
- Verify that all cables for the power supply are disconnected from power.



### **⚠ WARNING**

#### **UNANTICIPATED MOVEMENT**

Interchanging the motor connections inverts the direction of rotation of the motor.

**Failure to follow these instructions can result in death, serious injury, and equipment damage.**

- Verify correct wiring and connection of all electrical connections.



### **⚠ CAUTION**

#### **IMPROPERLY INSTALLED CABLES**

**Failure to follow these instructions can result in injury or equipment damage.**

- Verify that the cables are correctly routed.
- Verify compliance with the bend radius specifications for the electrical lines.
- Only use cables with the correct cross sections.
- Verify that the electrical cables are correctly connected to the terminals.

The product is factory-wired. The electrical installation is limited to connecting the cables between the product and the drives.

Electrical installation of any other equipment is the responsibility of the system integrator and/operator.

The electrical cables are pre-assembled with a connector at one cable end.

## 9.1 Connecting the protective ground conductor

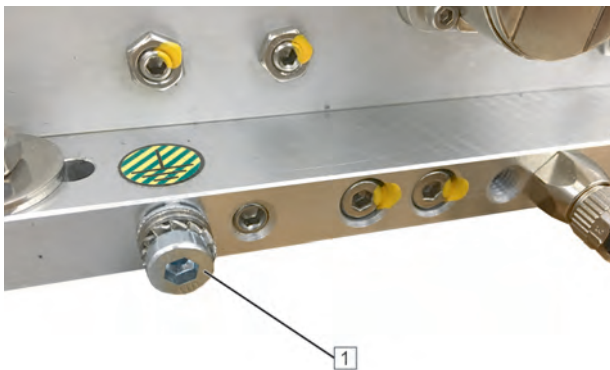


**⚠ DANGER**

### **ELECTRIC SHOCK DUE TO INSUFFICIENT GROUNDING**

**Failure to follow these instructions will result in death or serious injury.**

- Verify compliance with all local and national electrical code requirements as well as all other applicable directives, regulations, and standards with regard to grounding of the entire machine.
- Ground all components of the machine before applying voltage.
- Do not use cable conduits as protective ground conductors; instead, use a protective ground conductor inside the cable conduits.
- Verify that the cross section of the protective ground conductor complies with the applicable standards.
- Do not use cable shields as protective ground conductors.



The customer must ground the product.

1. Connect the protective ground conductor to the grounding screw [1] in order to ground the product.

## 9.2 Connection assignment

### Encoder connection "incremental"

<- to servo drive

Pin assignment

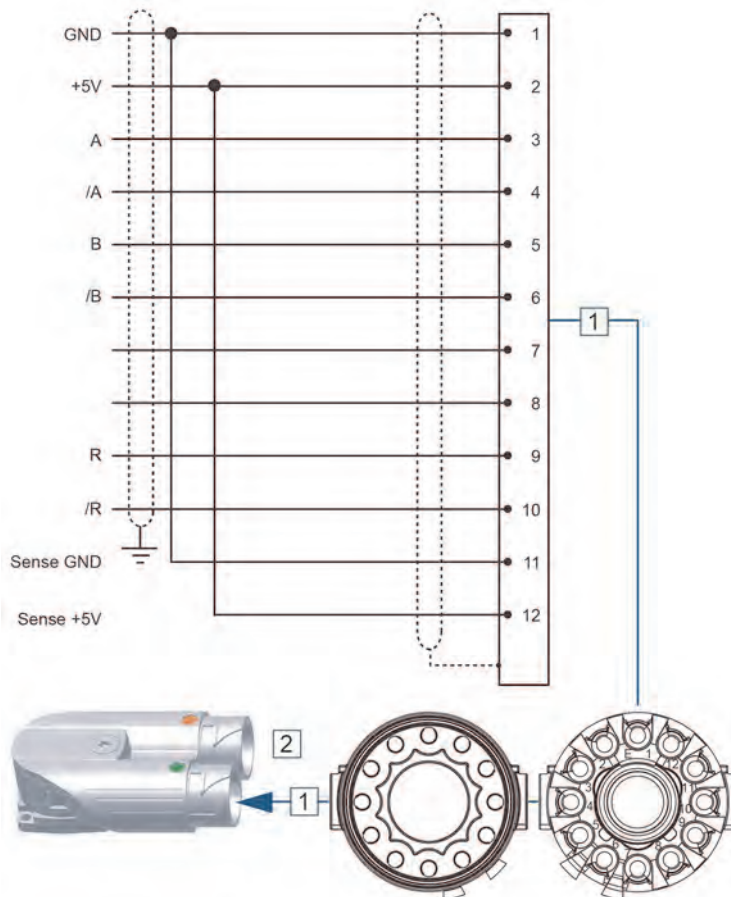


Figure 8: InterContec yTec - 12-pin



**Encoder connection "absolute"**

<- to servo drive

Pin assignment

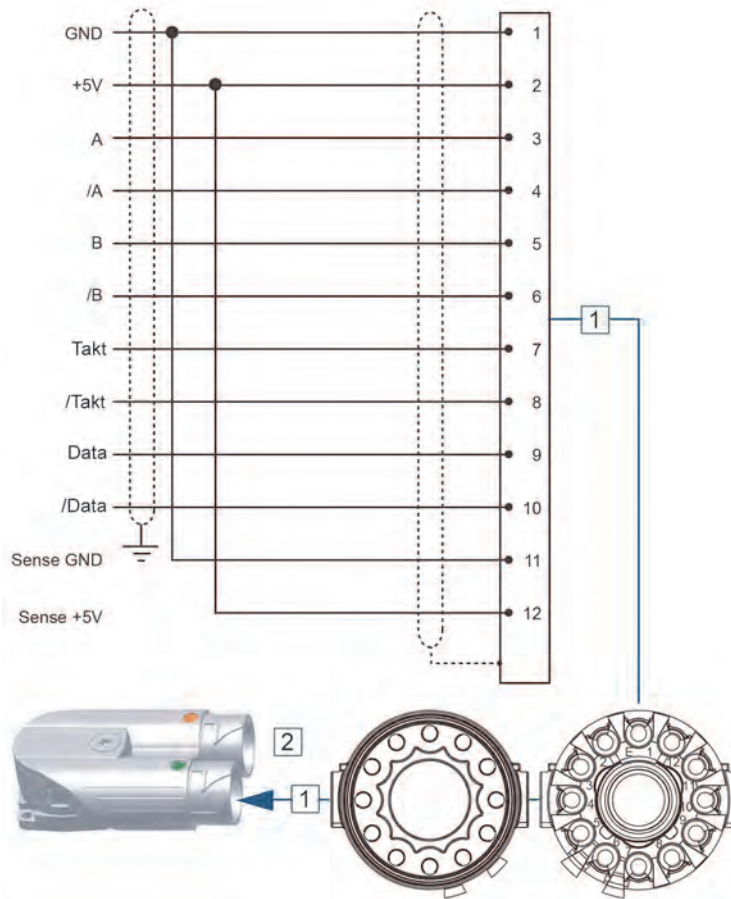


Figure 9: InterContec yTec - 12-pin



**Connection motor**

<- to servo drive

Pin assignment

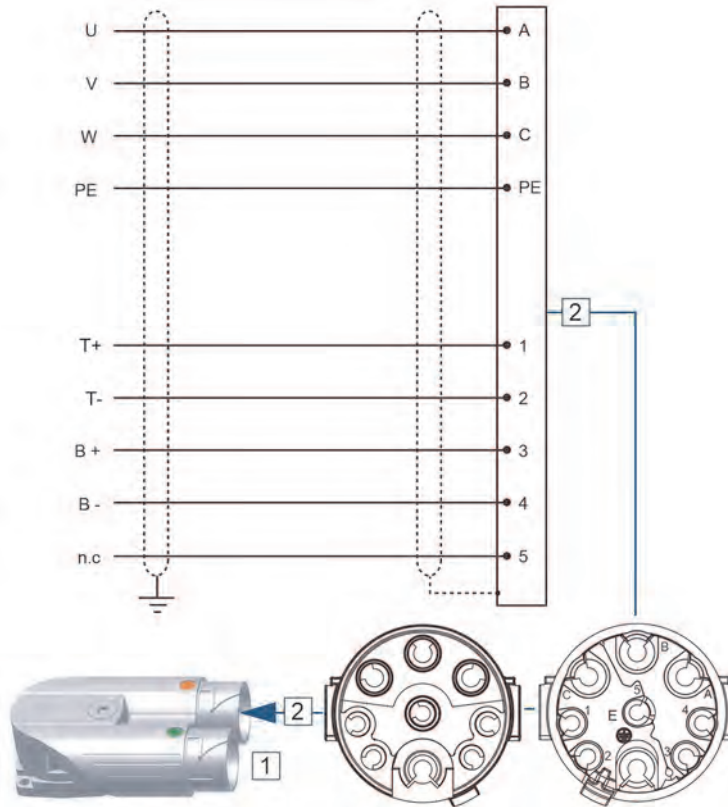


Figure 10: InterContec yTec - 9-pin

Extension cable encoder

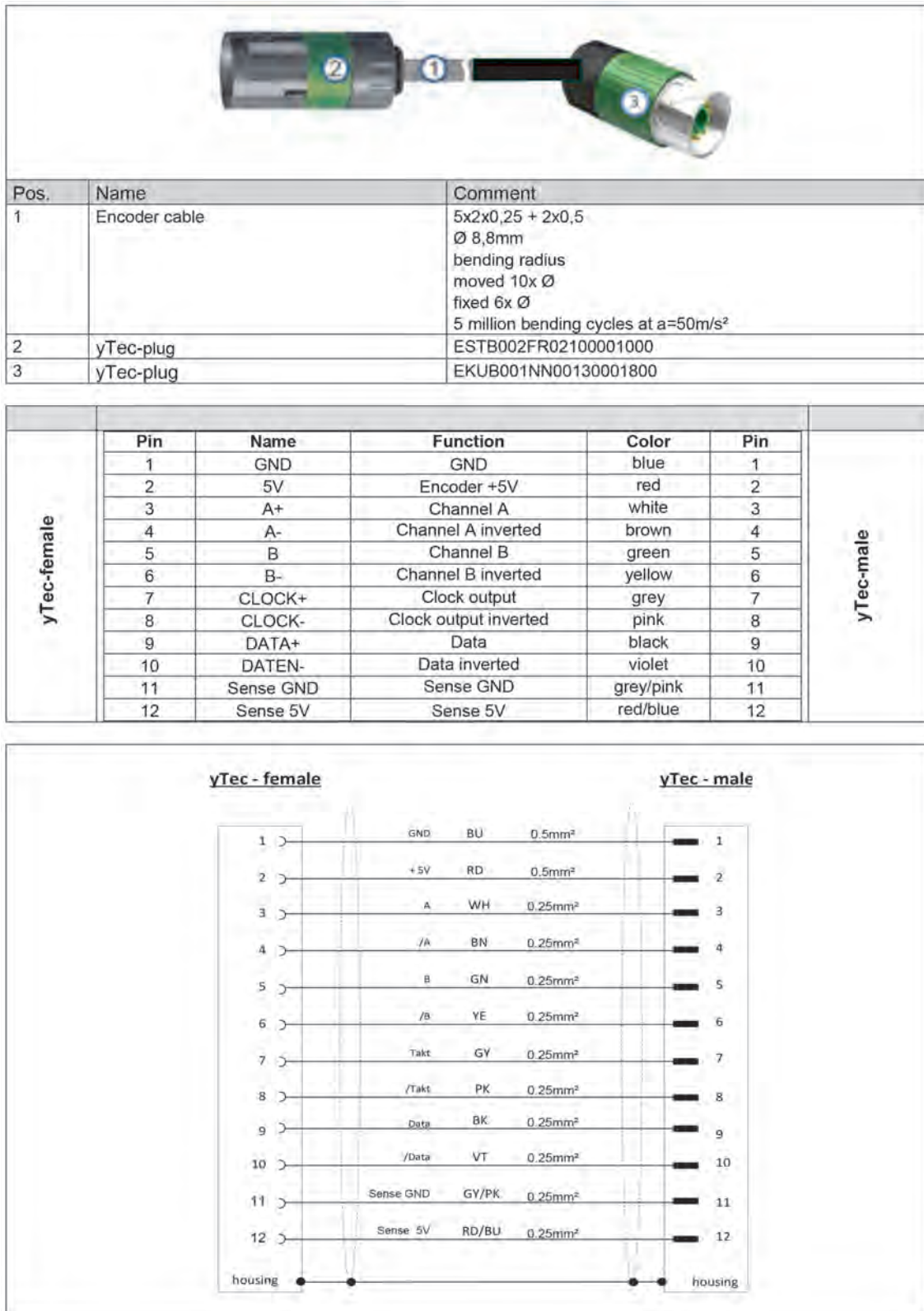


Figure 11: Encoder - yTec

Electrical connection

Extension cable motor

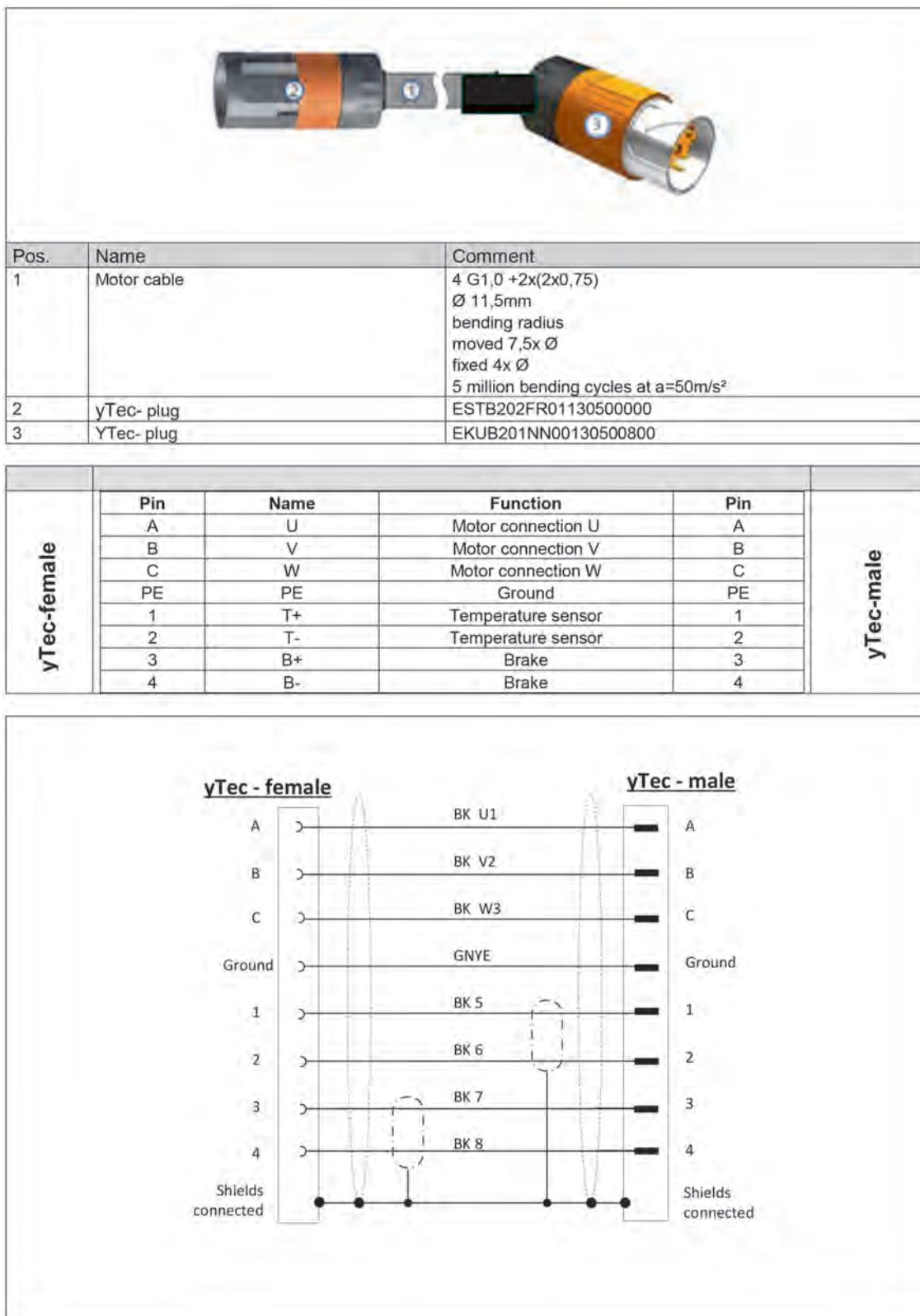
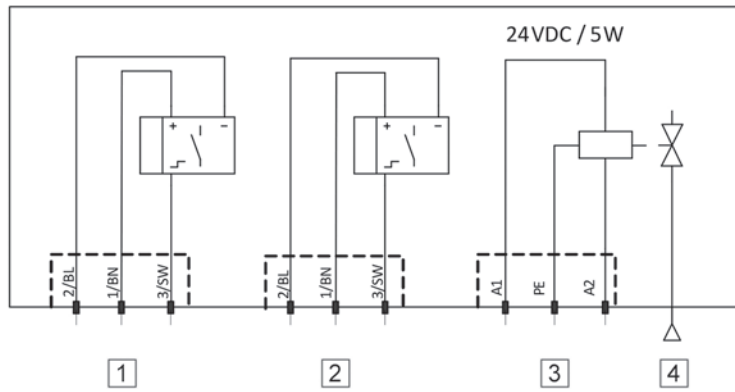


Figure 12: Motor - yTec

### 9.3 Connection automatic lubrication pump (optional)



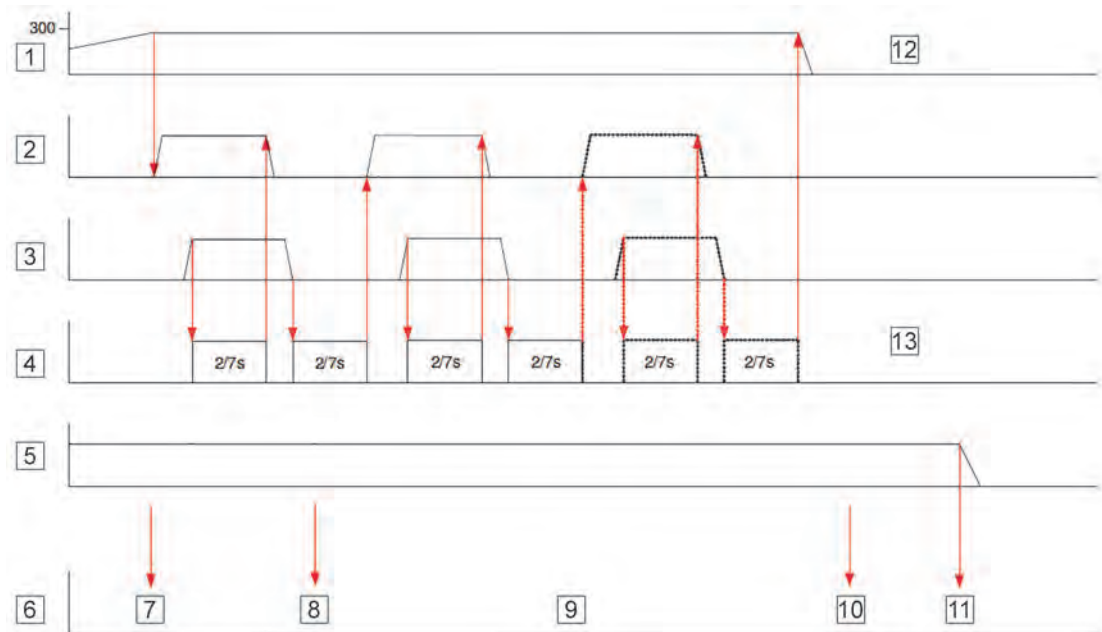
**1** Level sensor  
M8 - 3-pin

**2** Sensor function  
M8 - 3-pin

**3** Valve connector, type B

**4** Connection

Operation of the automatic lubrication pump without WEISS GmbH controller



- |   |   |
|---|---|
| <p><b>1</b> Kilometrage [km]</p> <p><b>2</b> SPS-OUT<br/>Valve coil</p> <p><b>3</b> SPS-IN<br/>Lubrication active</p> <p><b>4</b> Waiting time</p> <p><b>5</b> SPS-IN<br/>Level</p> <p><b>6</b> Software</p> <p><b>7</b> Check:<br/>- Level OK<br/>- Input lubrication "Active LOW"</p> | <p><b>8</b> Check:<br/>- Input lubrication "Active LOW"</p> <p><b>9</b> If the input lubrication does not turn "Active LOW", the error message "Error pneumatic supply" is generated</p> <p><b>10</b> Check:<br/>- Level OK</p> <p><b>11</b> Error message "Level"<br/>(If the error message is generated during the cycles of a running lubrication procedure, the remaining cycles are completed and the lubrication procedure is terminated)</p> <p><b>12</b> Lubrication interval: see table</p> <p><b>13</b> Number of cycles: see table</p> |
|---|---|

Product type	Lubricant volume	Lubrication interval	Cycles of the automatic lubrication pump	Additional time with 1 m hose	Additional time with 2 m hose
HL0050A	0.6 cm <sup>3</sup>	300 km	1	2 sec	7 sec
HL0100A	2.0 cm <sup>3</sup>	300 km	3	2 sec	7 sec

## 9.4 Connection holding brake (optional)

The products may be optionally equipped with one or two holding brakes, [see chapter 4.7](#). The following clamping elements are used as holding brakes:

- For product type HL0050A, MKS1701B-05
- For product type HL0100A, MKS2010F-01

The holding brake is connected to the servo drive via the motor cable (terminals B+ and B-, [see chapter 9.2](#)).

If a product is shipped with a holding brake, the pneumatic valve and a connection cable are included in the scope of delivery. This connection cable is used to connect the pneumatic valve to the M8 socket of the product.

Use a pneumatic hose (6 mm) for connection to the pneumatic valve.

Keep the pneumatic hose as short as possible because the hose length influences the response time of the holding brake.

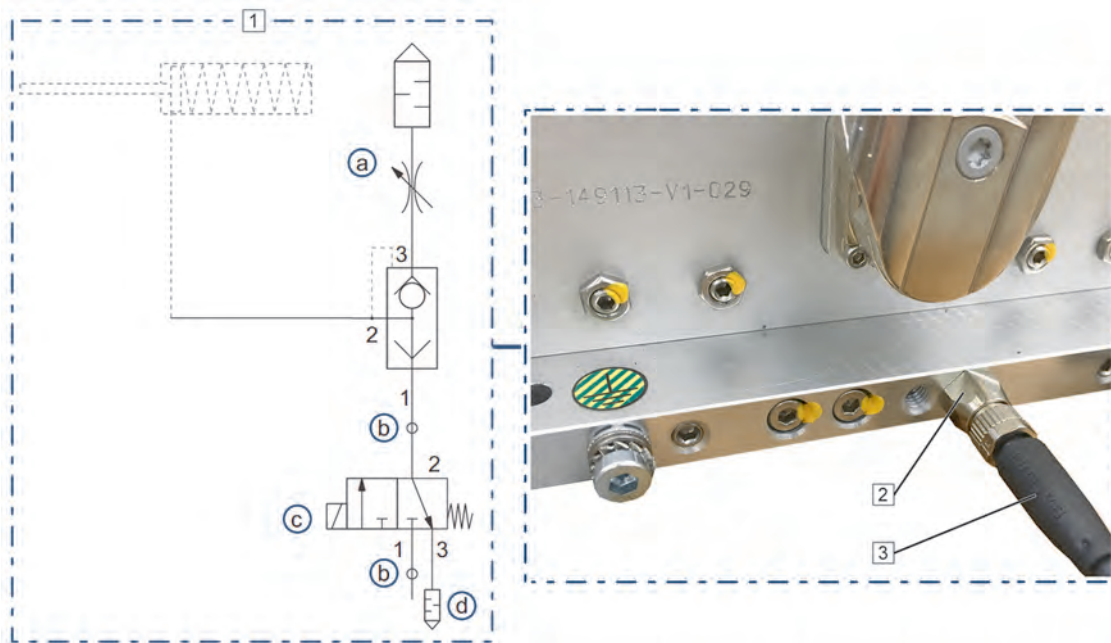


Figure 13: Connection pneumatic valve of holding brake

- |  |  |
|--|--|
| <p><b>1</b> Pneumatic valve</p> <p><b>a</b> Restrictor quick exhaust valve (ASV220F-M506)</p> <p><b>b</b> Screw connection (KJH06-M5)</p> <p><b>c</b> Valve (V111-5WAOU) with base (V100-74-1)</p> | <p><b>d</b> Sound absorber (SEP M5)</p> <p><b>2</b> Socket at product</p> <p><b>3</b> Connection cable (length approximately 0.4 m with connector)</p> |
|--|--|

## 10 Controller

### 10.1 Basic information on control



#### **▲ WARNING**

##### **LOSS OF CONTROL**

**Failure to follow these instructions can result in death, serious injury, and equipment damage.**

- Consider all potential failure modes of all control paths in your control concept.
- Implement means and measures for all critical functions to achieve a safe state if a control path fails (for example, emergency stop, overtravel of positions, power outage, and restart).
- Implement separate or redundant control paths for all critical functions.
- If the control system of the machine comprises communication links, consider the consequences of unanticipated transmission delays or failures of the link and implement appropriate measures.
- Subject each machine in which the product described in these mounting instructions is used to a comprehensive and thorough commissioning test before operating the machine.

### 10.2 WEISS GmbH controller/software package (optional)

WEISS GmbH offers a controller/software package for controlling the product.

If this option is used, you must follow all instructions in the corresponding documentations. The documentations can be found on the CD shipped with the product in the controller/software package.



## 11 Commissioning

### 11.1 Prerequisites for commissioning

The following requirements must be met before the product may be commissioned:

- The product is properly mounted.
- The electrical equipment for the power supply of the electrical components of the product is correctly installed.
- All cables including the protective ground conductors are properly routed and connected.
- All electrical connections have been made properly.
- The brake valves are connected and under pressure.
  - The holding brake must be open while the linear motor axis moves.
- The static discharge must be performed properly.
  - The leakage resistance must have been measured and have a value of less than 10 Ohm.
- All parts of the system are properly grounded in compliance with all applicable directives, regulations, and standards.
- All safety equipment and EMERGENCY-STOP circuits are operational.
- All environmental conditions are respected.
- All protective covers are properly mounted.
- All tools, equipment, and other objects have been removed from the zone of operation of the product.
- All hazards are excluded.

Prior to commissioning, perform a test for each prerequisite mentioned and verify compliance with all information and specifications contained in these mounting instructions, in all applicable documents, and in all applicable directives, regulations, and standards.

### 11.2 Performing commissioning



#### ⚠ WARNING

##### **UNANTICIPATED MOVEMENT**

Incorrect connections or external influences on electrical equipment can cause unanticipated movements.

**Failure to follow these instructions can result in death, serious injury, and equipment damage.**

- Verify correct wiring.
- Verify that there are no persons or obstacles in the danger zone of the product before starting the product.
- Perform initial test movements without loads and without other processing units.
- Verify that all safety equipment and EMERGENCY STOP circuits are activated prior to commissioning.




**⚠ WARNING**
**UNINTENDED EQUIPMENT OPERATION**

Incorrect or unsuitable parameter values or settings can cause unintended movements, trigger signals, and compromise functional safety.

**Failure to follow these instructions can result in death, serious injury, and equipment damage.**

- Verify that parameter values and settings can only be modified by authorized personnel who fully understand each and every effect of such a modification.
- Verify that all parameter values and settings are correct by performing a test run.


**⚠ WARNING**
**ELECTROMAGNETIC FIELDS**

**Failure to follow these instructions can result in death, serious injury, and equipment damage.**



- Verify compliance with all international, national, and local directives, standards, and safety regulations, including all regulations concerning workplace safety and prevention of accidents, with regard to strong magnetic fields.
- Take all necessary measures to ensure that persons with active medical implants (such as heart pacemakers or insulin pumps), metal implants, and magnetically or electrically conductive objects are not exposed to do the magnetic fields generated by the product.
- Do not operate devices in the vicinity of the product which are sensitive to electromagnetic emission.
- Verify that a distance to the product of at least 15 cm is kept.


**⚠ WARNING**
**HOT SURFACES**

The temperature of the product can exceed 80 °C during operation.

**Failure to follow these instructions can result in death, serious injury, and equipment damage.**

- Avoid unprotected contact with hot surfaces.
- Do not allow flammable or heat-sensitive objects in the vicinity of hot surfaces.
- Before performing work on the product, verify that you wait for a sufficient period of time to allow such parts to cool down to a temperature that allows for safe contact.

Power on the power supply to the product via the main switch.

Check the following points during commissioning:

- Operating state, potential error conditions, and protective equipment
  - During commissioning, perform tests for all operating states and error conditions. In doing so, verify that all protective equipment operates as planned and required.
- Correct operation of the axis

- There are no overloads.
- There are no unusual jerks. Immediately stop the product in the case of overloads or unusual jerks and verify correct mounting.
- Noise emission
  - Excessive noise emission can be an indication of incorrect mounting, for example, an uneven ground that causes mechanical stress. Immediately stop the product in the case of high noise emission and verify correct mounting and correct setting of the controller parameters.

If the product and/or the machine into which the product is incorporated is temporarily decommissioned, it must be recommissioned. For recommissioning, the same prerequisites must be met as for initial commissioning.

Perform the same tests for each recommissioning of the product as for initial commissioning.

## 12 Operation

### 12.1 Basic information on operation



#### ▲ WARNING

##### UNINTENDED EQUIPMENT OPERATION

Incorrect or unsuitable parameter values or settings can cause unintended movements, trigger signals, and compromise functional safety.

**Failure to follow these instructions can result in death, serious injury, and equipment damage.**

- Verify that parameter values and settings can only be modified by authorized personnel who fully understand each and every effect of such a modification.
- Verify that all parameter values and settings are correct by performing a test run.



#### ▲ WARNING

##### ELECTROMAGNETIC FIELDS

**Failure to follow these instructions can result in death, serious injury, and equipment damage.**



- Verify compliance with all international, national, and local directives, standards, and safety regulations, including all regulations concerning workplace safety and prevention of accidents, with regard to strong magnetic fields.
- Take all necessary measures to ensure that persons with active medical implants (such as heart pacemakers or insulin pumps), metal implants, and magnetically or electrically conductive objects are not exposed to do the magnetic fields generated by the product.
- Do not operate devices in the vicinity of the product which are sensitive to electromagnetic emission.
- Verify that a distance to the product of at least 15 cm is kept.

The product is a partly complete machine pursuant to Directive 2006/42/EU and intended to be incorporated into or assembled with other machinery. The information required for operation results from the functionality of the machine or system into which the product is incorporated and from the application implemented with it.

The instructions for the safe operation of the final machine or system must be provided by the system integrator (the person who incorporates the product in a machine pursuant to Directive 2006/42/EU) and/or the operator in the form of a manual with operating instructions, [see chapter 2.3](#).

These operating instructions must be a complete manual which describes all work on and with the product and which contains all information relevant to the product. The system integrator and/or operator must ensure compliance of the operating instructions with all applicable directives, regulations, and standards.

## 13 Troubleshooting

### 13.1 Issue, cause and remedy



#### **⚠ DANGER**

##### **ELECTRIC SHOCK CAUSED BY LIVE PARTS**

**Failure to follow these instructions will result in death or serious injury.**

- Disconnect the mains supply voltage before performing the work and ensure that it cannot be switched on.
- Verify that no hazards can be caused by electrically conductive objects.
- Verify that all cables for the power supply are disconnected from power.



#### **⚠ WARNING**

##### **ELECTROMAGNETIC FIELDS**

**Failure to follow these instructions can result in death, serious injury, and equipment damage.**



- Verify compliance with all international, national, and local directives, standards, and safety regulations, including all regulations concerning workplace safety and prevention of accidents, with regard to strong magnetic fields.
- Take all necessary measures to ensure that persons with active medical implants (such as heart pacemakers or insulin pumps), metal implants, and magnetically or electrically conductive objects are not exposed to do the magnetic fields generated by the product.
- Do not operate devices in the vicinity of the product which are sensitive to electromagnetic emission.
- Verify that a distance to the product of at least 15 cm is kept.



#### **⚠ WARNING**

##### **MOVING PARTS**

**Failure to follow these instructions can result in death, serious injury, and equipment damage.**

- Verify that the zone of operation of the moving parts of the product/machine is safeguarded.



**⚠ WARNING**

**HOT SURFACES**

The temperature of the product can exceed 80 °C during operation.

**Failure to follow these instructions can result in death, serious injury, and equipment damage.**

- Avoid unprotected contact with hot surfaces.
- Do not allow flammable or heat-sensitive objects in the vicinity of hot surfaces.
- Before performing work on the product, verify that you wait for a sufficient period of time to allow such parts to cool down to a temperature that allows for safe contact.

Issue	Cause	Remedy
The primary does not move properly or not at all	Product is subject to mechanical tension	<ul style="list-style-type: none"> <li>▪ Verify that the mounting site is level und verify correct mounting</li> <li>▪ Verify the installation</li> </ul>
	Guide rails and/or carriages are polluted. Extraneous objects in the air gap between the primary and the base plate	<ul style="list-style-type: none"> <li>▪ Clean the guide rails and the magnet ways, <a href="#">see chapter 14.1</a></li> <li>▪ Remove extraneous objects and inspect the product for damage</li> </ul>
Linear motor axis does not move freely	The holding brake (if available) is applied. The air pressure is below 4 bar	<ul style="list-style-type: none"> <li>▪ Adjust the air pressure to a minimum of 4 bar</li> </ul>

## 14 Cleaning

### 14.1 Performing cleaning



#### **⚠ DANGER**

##### **ELECTRIC SHOCK CAUSED BY LIVE PARTS**

**Failure to follow these instructions will result in death or serious injury.**

- Disconnect the mains supply voltage before performing the work and ensure that it cannot be switched on.
- Verify that no hazards can be caused by electrically conductive objects.
- Verify that all cables for the power supply are disconnected from power.



#### **⚠ WARNING**

##### **ELECTROMAGNETIC FIELDS**

**Failure to follow these instructions can result in death, serious injury, and equipment damage.**



- Verify compliance with all international, national, and local directives, standards, and safety regulations, including all regulations concerning workplace safety and prevention of accidents, with regard to strong magnetic fields.
- Take all necessary measures to ensure that persons with active medical implants (such as heart pacemakers or insulin pumps), metal implants, and magnetically or electrically conductive objects are not exposed to do the magnetic fields generated by the product.
- Do not operate devices in the vicinity of the product which are sensitive to electromagnetic emission.
- Verify that a distance to the product of at least 15 cm is kept.



#### **⚠ WARNING**

##### **MISSING PROTECTIVE EQUIPMENT**

**Failure to follow these instructions can result in death, serious injury, and equipment damage.**

- Immediately reinstall protective equipment that you may have removed to perform maintenance work after having completed the maintenance work and verify the effectiveness of the protective equipment.



**▲ WARNING**

**HOT SURFACES**

The temperature of the product can exceed 80 °C during operation.

**Failure to follow these instructions can result in death, serious injury, and equipment damage.**

- Avoid unprotected contact with hot surfaces.
- Do not allow flammable or heat-sensitive objects in the vicinity of hot surfaces.
- Before performing work on the product, verify that you wait for a sufficient period of time to allow such parts to cool down to a temperature that allows for safe contact.

For cleaning of electrical components and additional components, respect the instructions in the documentations of the manufacturer; refer to the applicable documents.

Use the following cleaning agents for cleaning the product:

Component	Cleaning agents
Primary/secondary	Neutral, mildly alkaline

1. Clean the primary and the secondary with a dry, lint-free cloth.
2. Remove excess lubricant with a dry, lint-free cloth.
3. Use a wet cloth and a neutral, mildly alkaline cleaning agent to remove heavy pollution from the primary and the secondary.
4. Dry the cleaned areas.
5. Remove all equipment from the product.
6. Restore the readiness for operation of the product.

## 15 Maintenance

### 15.1 Maintenance plan

When	Activity
At least once per month	<ul style="list-style-type: none"> <li>▪ Manually move the secondary along the entire stroke length and verify smooth operation of the axis without running noise</li> </ul>
At least every six months	<ul style="list-style-type: none"> <li>▪ Clean all surfaces of the product, <a href="#">see chapter 14.1</a></li> </ul>
	<ul style="list-style-type: none"> <li>▪ Verify all screw connections of the product for correct tightening torque</li> </ul>
	<ul style="list-style-type: none"> <li>▪ Verify correct connection of all plug connections</li> </ul>
	<ul style="list-style-type: none"> <li>▪ Check all cables and compressed air hoses for damage</li> </ul>
	<ul style="list-style-type: none"> <li>▪ Check the lubrication hose for the automatic lubrication system for damage. The lubrication hose must not contain air</li> </ul>
At least once per year or every 300 km (manual lubrication only)	<ul style="list-style-type: none"> <li>▪ Lubricate the product, <a href="#">see chapter 15.3</a></li> </ul>
If required	<ul style="list-style-type: none"> <li>▪ Replace the grease cartridge at the automatic lubrication pump (verify continuous, even consumption of lubricant), <a href="#">see chapter 15.4</a></li> </ul>
	<ul style="list-style-type: none"> <li>▪ Bleed the lubrication hose, <a href="#">see chapter 15.5</a></li> </ul>





## 15.2 Lubricant

### NOTICE

#### INSUFFICIENT LUBRICATION

**Failure to follow these instructions can result in equipment damage.**

- Respect the lubrication intervals specified in these mounting instructions.
- Only use the lubricants specified in these mounting instructions for lubrication of the product.
- If you want to use a lubricant without FDA approval for relubrication, the factory-applied lubricant must first be completely removed because the two lubricants are not compatible.

Initial factory-lubrication and relubrication with special grease LE-Spezialfett Synt EP2 with the following characteristics:

- Level of purity as per FDA regulations 21 CFR 178.3570
- Approval of NSF H1 (National Sanitary Foundation)

Thickener	Al complex
Operating temperature range	-45 °C to +160 °C
Permissible short-term temperature peak	+200 °C
Dropping point (DIN ISO 2176)	> 250 °C
Cone penetration (DIN ISO 2137)	265 - 295
Type of base oil	Synthetic
Viscosity of base oil at 40 °C (DIN 51562)	350 mm <sup>2</sup> /s
Water resistance (DIN 51807 T1)	0 - 90
SKF Emscor test (DIN 51802)	Degree of corrosion 0/0
Designation (DIN 51502)	KPFHC 2 P-40

It is possible to use an equivalent grease.

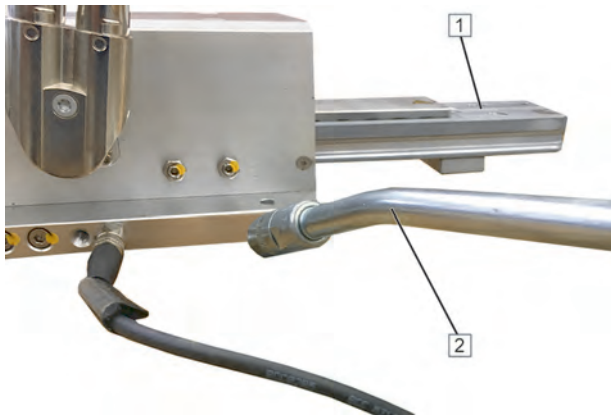
Use of a lubricant without FDA approval:

- DIN 51502: KP2K-30
- ISO 6743-9: ISO-L-X-CCEB 2

### 15.3 Lubricating the product (manual lubrication)

The product must be lubricated after 300 km of operation, or at least once per year.

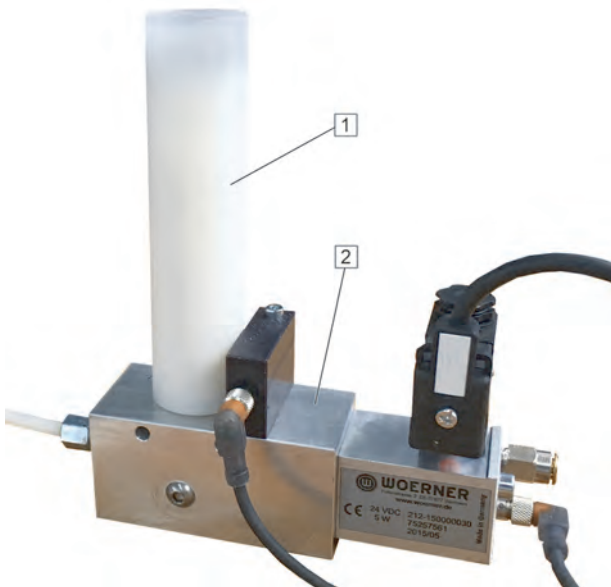
The kilometrage can be read out via the W.A.S. 2 software. In addition, it is possible to read out and reset the value via various parameters (as described in the manual for the W.A.S. 2 software).



1. Use a grease gun [2] to apply the specified amount of grease via the lubrication nipple.
  - Manually move the secondary [1] along the entire stroke several times during the lubrication procedure.
2. Remove excess grease with a soft, lint-free cloth.

Product type	Lubricant volume
HL0050A, HL0100A	1 cm <sup>3</sup>

### 15.4 Replacing the grease cartridge at the automatic lubrication pump



1. Unscrew the grease cartridge [1] from the pump housing [2].



2. Remove the cap from the new grease cartridge.
3. Press from the bottom until grease escapes from the grease cartridge.
  - ✓ This helps to keep air from getting into the lubrication hose.
4. Verify that the seal [3] and the magnets [4] are in the new grease cartridge.
5. Screw the grease cartridge into the pump housing.
6. Bleed the lubrication hose at the automatic lubrication pump, [see chapter 15.5](#).

## 15.5 Bleeding the lubrication hose

The automatic lubrication pump is delivered with the lubrication hose bled.



The automatic lubrication pump can be operated manually via a rotary switch [1] at the pneumatic valve. For this, compressed air must be supplied.

1. Turn the rotary switch [1] from position "0" to position "1" and back to position "0".
  - ✓ A single pump stroke is performed.

## 16 Decommissioning

### 16.1 Decommissioning the product

1. Switch off the product and secure it against unintended switching on.
2. Remove all workpieces and all other objects not belonging to the product from the product.
3. In the case of recommissioning, follow the instructions described, [see chapter 11](#).

## 17 Dismounting

### 17.1 Dismounting the product



#### ⚠ WARNING

#### ELECTROMAGNETIC FIELDS

Failure to follow these instructions can result in death, serious injury, and equipment damage.

- Verify compliance with all international, national, and local directives, standards, and safety regulations, including all regulations concerning workplace safety and prevention of accidents, with regard to strong magnetic fields.
- Take all necessary measures to ensure that persons with active medical implants (such as heart pacemakers or insulin pumps), metal implants, and magnetically or electrically conductive objects are not exposed to do the magnetic fields generated by the product.
- Do not operate devices in the vicinity of the product which are sensitive to electromagnetic emission.
- Verify that a distance to the product of at least 15 cm is kept.

1. Switch off the supply voltage.
2. Dismount the product (reverse sequence of steps), [see chapter 8](#).

## 18 Disposal

### 18.1 Disposing of the product

Dispose of the product in compliance with all applicable directives, standards, and safety regulations.

#### Environmental protection

Dispose of lubricants, greases, residue of cleaning agents and other non-recyclable materials according to the applicable directives, standards, and safety regulations.

## 19 Service and spare parts

### 19.1 Worldwide service

If you need the assistance of our service departments, please provide the following information:

- Serial number of the product (see nameplate)
- Description of the problem
- Time of occurrence and circumstances of the problem
- Suspected cause

#### GERMANY

WEISS GmbH  
Siemensstraße 17  
74722 Buchen/Odenw.  
Phone +49-6281-5208-5999  
Fax +49-6281-5208-99  
E-mail info@weiss-gmbh.de

#### SWITZERLAND

WEISS Schweiz GmbH  
Friedhofstraße 7  
2540 Grenchen  
Phone +41-32-6536010  
Fax +41-32-6536011  
E-Mail info@weiss-gmbh.ch

#### NETHERLANDS

WEISS Nederland  
Kruisstraat 4  
7573 GJ Oldenzaal  
Phone +31-541-853524  
E-mail info@weiss-gmbh.nl

#### POLAND

WEISS Poland Sp. z o. o.  
ul. Wielicka 250  
30-663 Kraków  
Phone +48-12-281-23-62  
Fax +48-12-281-23-63  
E-Mail info@weiss-poland.com

#### ITALY

WEISS Italia S.r.l.  
Via dell'Arcoveggio 49/5  
40129 Bologna  
Phone +39-51-0474967  
E-mail info@weiss-italia.it

#### USA | CANADA

WEISS North America, Inc.  
3860 Ben Hur Avenue, Suite 3  
Willoughby, OH 44094  
Phone +1-888 WEISSNA (888-934-7762)  
Fax +1-440-269-8036  
E-mail info@weissna.com

#### SPAIN

WEISS España  
Tecnología en máquinas especiales, S.L.  
Avda. Juan Carlos I, N°13, 3ªA „Torre Garena“  
28806 Alcalá de Henares (Madrid)  
Phone +34-91-830-06-86  
Fax +34-91-830-06-87  
E-mail info@weiss-gmbh.es

#### UNITED KINGDOM

WEISS UK Ltd.  
Meridian House  
Winsford Ind Estate  
Winsford  
Cheshire  
CW7 3QG  
Phone +44-1606-8605-67  
E-mail info@weiss.uk.com

#### INDIA

WEISS Automation Solutions India Pvt. Ltd.  
Office No. 101  
Navale IT Park  
Survey No. 51/2A/2  
Nahre, Pune -411041  
Phone +91-20-2469-9810  
E-mail info@weiss-india.com

#### BRASIL

WEISS Brasil Ltda  
Rod. BR 280 KM 43, n.º 501 - 3.º Pavimento,  
Poço Grande, Guaramirim - SC  
Caixa Postal n.º 57 - Cep 89270 - 000  
Phone +55-47-99914-9681 ou  
+55-47-99971-1554  
E-mail info@weiss-brasil.com

#### ASIA

WEISS Asia  
Automation and Components Pte Ltd  
18 Boon Lay Way  
#07-112  
TradeHub 21  
Singapore 609966  
Phone +65-6570-3274  
Fax +65-6684-6757  
E-mail info@weiss-asia.com

#### KOREA

WEISS Korea Co., Ltd.  
213-ho, 448, Aenggogae-ro, Namdong-gu,  
Incheon, Republic of Korea (21697)  
Phone +82-32-228-5208  
Fax +82-32-228-5209  
E-mail sales@weiss-korea.com

#### CHINA

WEISS AUTOMATION TECHNOLOGY  
(SHANGHAI) CO., LTD.  
中国区总部/ Head Office in China  
上海/ Shanghai  
地址: 上海市嘉定区马陆镇思诚路  
1250号8号楼  
ADD: Building 8, No.1250 Sicheng Rd., Jiading  
District  
Phone +86-21-6076-7688 (总机 / Call Center)  
Fax +86-21-6076-7699  
E-mail info@weiss-china.com

## 19.2 Ordering spare parts



### ⚠ WARNING

#### UNSUITABLE SPARE PARTS AND ACCESSORIES

Failure to follow these instructions can result in death, serious injury, and equipment damage.

- Only use spare parts and accessories which are approved by the manufacturer.

Please provide the following information when ordering spare parts:

- Serial number of the product (see nameplate)
- Part number of the spare part according to spare parts list
- Quantity of spare parts required

## 19.3 Spare parts

Part number	Designation	Description	Qty
LUBEMAN-0800-0000-00	Manual grease gun	-	1
LUBEMAN-0810-0000-00	Spare cartridge	-	1
LUBESYS-0800-0000-00	Automatic lubrication pump	-	1
LUBESYS-0810-0000-00	Spare cartridge	Diameter hose 6 mm	1
LUBESYS-0810-0001-00	Spare cartridge	Diameter hose 4 mm	1



---

**INSPIRING PEOPLE  
GREAT SOLUTIONS**

---

**WEISS GmbH**

Siemensstraße 17 74722 Buchen  
Telefon 06281 5208-0 Telefax 06281 5208-99  
[info@weiss-international.com](mailto:info@weiss-international.com)  
[www.weiss-international.com](http://www.weiss-international.com)