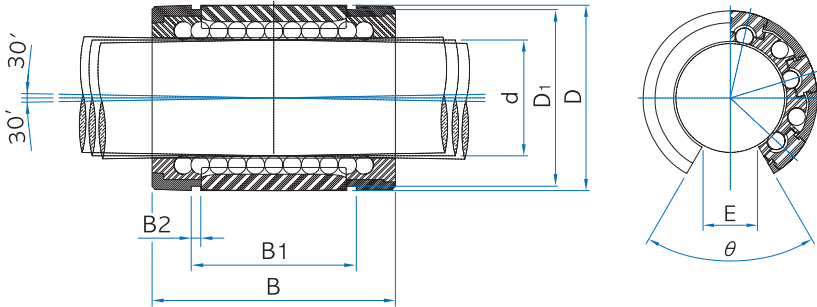


**SBE0 type**

European Super Ball Bushing



Open type



Super Ball Bushing

Unit : mm

Part No.			Dimensions						Angle	Shaft	No. Ball rows	Basic Load Ratings		weight (g)
without Seal	without One Seal	without Two Seal	D	D <sub>1</sub>	B	B <sub>1</sub>	B <sub>2</sub>	E				θ	d	
SBE0 16	SBE0 16U	SBE0 16UU	26	24.9	36	24.6	1.3	9	68°	16	4	1330	910	20
SBE0 20	SBE0 20U	SBE0 20UU	32	30.5	45	31.2	1.6	9	55°	20	5	2310	1445	50
SBE0 25	SBE0 25U	SBE0 25UU	40	38.5	58	43.7	1.85	11.5	57°	25	5	4330	2820	100
SBE0 30	SBE0 30U	SBE0 30UU	47	44.5	68	51.7	1.85	14	57°	30	5	5080	3460	154
SBE0 40	SBE0 40U	SBE0 40UU	62	58.5	80	60.3	2.15	19.5	56°	40	5	9095	5625	286
SBE0 50	SBE0 50U	SBE0 50UU	75	71.5	100	77.3	2.65	22.5	54°	50	5	13130	8175	486

1N ≅ 0.102kgf