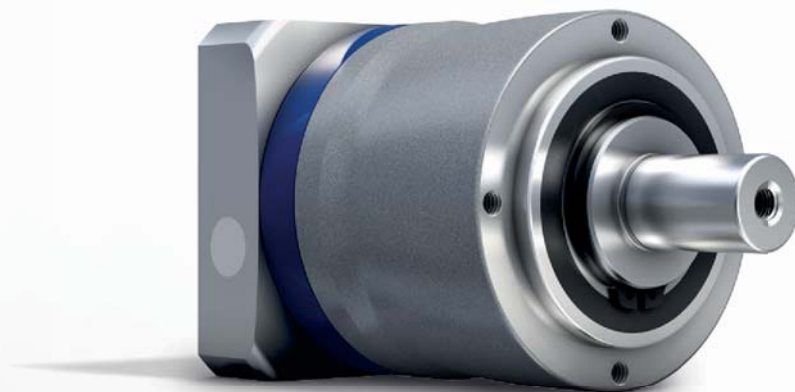


alpha Value Line - NP Sizing and Technical Data

Efficient
Flexible
Reliable





alpha Value Line	NP	NPS	NPL	NPT	NPR	
Ratios	3-100					
Torsional backlash [arcmin]	≤ 8					
Output type						
Smooth output shaft	•	•	•	–	•	
Grooved output shaft	•	•	•	–	•	
Output shaft with involute toothing	–	•	•	–	•	
Output flange	–	–	–	•	–	
Input type	Motor attachment version					
Application						
For high axial and radial forces	–	•	•	–	•	
In continuous operation	•	•	•	•	–	
In cyclic operation	•	•	•	•	•	
Options						
HIGH TORQUE version	•	•	•	•	•	
Foodgrade lubrication	•	•	•	•	•	
With coupling at output	•	•	•	•	•	
As linear system	•	•	•	–	•	
With mounted pinion at output	•	•	•	–	•	
With screwed on B5 flange	•	–	–	–	–	
Further technical data						
Max. torque T_{2a}	Nm	800	800	800	800	800
	in.lb	7100	7100	7100	7100	7100
Max. input speed	rpm	10000	8000	8000	10000	8000
Efficiency	%	97%	97%	97%	97%	97%
Max. radial force F_{2R}	N	8000	10000	10000	4800	10000
	lb _f	1800	2250	2250	1080	2250

WITTENSTEIN alpha adapted for any axis

The perfect drive solution whatever
the requirements are

WITTENSTEIN alpha develops complete, single-supplier solutions for driving any axis. They can be used in virtually any application – from high-precision axes in machine tools and manufacturing systems to packaging machinery where maximum productivity is a must.

The name WITTENSTEIN alpha is synonymous with premium quality and optimal reliability, high precision and synchronization accuracy, maximum power density, a long lifetime and very simple motor mounting.

The alpha Value Line is a new product family that unites these characteristics – which are specially adapted for applications in the value segment or high-end secondary axes – in a class-appropriate way.

Benefits of the alpha Value Line:

- Rapid availability regardless of the batch size
- Optimal flexibility
- Ability to react promptly to changing customer requirements
- Assembly to order

Contents

Sizing of the alpha Value Line – NP	4
NP 005S	6
NP 015S	8
NP 025S	10
NP 035S	12
NP 045S	14
Glossary	16
Order codes	17

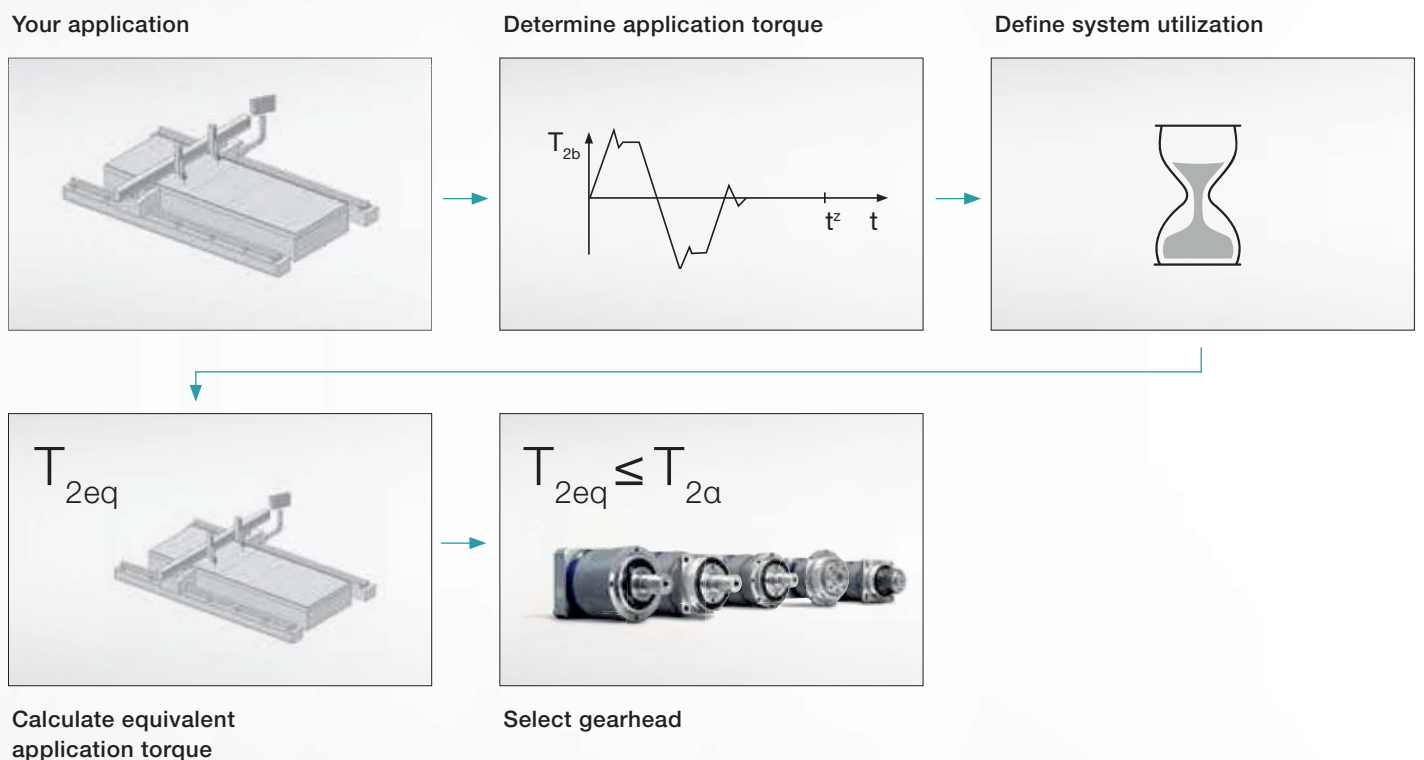
alpha Value Line

Efficient sizing

The new sizing method

The new alpha Value Line from WITTENSTEIN alpha commits the cymex® sizing software to paper. Using a quick select structure, you can define your drive train in just a few simple steps.

- Quick and easy gearhead selection based on your application.
- Maximum transmissible torque T_{2a} as the starting point for selecting the gearhead (definition $T_{2a} \neq T_{2B}$).
No restriction on T_{2a} due to a maximum number of cycles per hour.
- Optional: Quick selection based on the maximum motor torque.



Your Benefits:

- Perfect-fit sizing of your drive
- Efficient and reliable gearhead selection
- Huge time saving
- Computational work for simple applications reduced to a minimum*
- Consideration of radial and axial forces if necessary

*We recommend our cymex® sizing software for complex applications

Sizing of the alpha Value Line – NP

A: Simplified sizing for servo motors based on the maximum motor torque: $M_{max} * i \leq T_{2\alpha}$

B: Sizing based on the application

Step 1:

Determine the maximum application torque: $T_{2b} = \text{_____} \text{ [Nm]}$

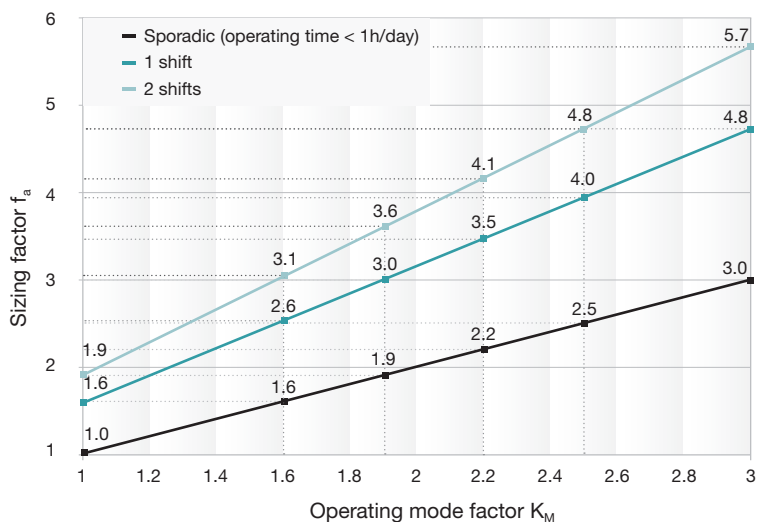
Step 2:

Determine the operating mode factor $K_M = \text{_____}$

Typical applications	Cycle	Torque characteristic	Operating mode factor K_M
Format changing, e.g. in packaging machines, drives for processing equipment, actuators, etc.	S5 operation: Low duty cycle Small number of cycles Low dynamics		1.0
Tool changers with low dynamics, pick & place gantry axes, tire building machines, etc.	S5 operation: Medium duty cycle Small number of cycles Medium dynamics		1.6
Linear modules, linear axes in woodworking machines, ball screw drives, etc.	S5 operations: Medium duty circle Medium number of cycles Medium dynamics		1.9
Roller drives in printing presses, star drives in rackers, etc.	S1 operation: High duty cycle		2.2
Linear axes in plasma, laser or water jet cutters, portals, tool changers with high dynamics	S5 operation: Medium duty circle Medium number of cycles High dynamics		2.5
SCARA robots, gantry robots, machining spindles, etc.	S5 operation: High duty cycle High number of cycles High dynamics		3.0

Step 3:

Determine the sizing factor with the operating mode factor K_M $f_a = \text{_____}$



Step 4:

Compare the equivalent application torque with the maximum gearhead $T_{2\alpha}$ (see table, Step 5)

$$T_{2_eq} = f_a * T_{2b} \leq T_{2\alpha}$$

$$T_{2_eq} = \text{_____} * \text{_____} \leq T_{2\alpha}$$

$$T_{2_eq} = \text{_____} \text{ [Nm]} \leq \text{_____} \text{ [Nm]}$$

Step 5: Quick selection of the technical data

		NP 005		NP 015		NP 025		NP 035		NP 045		
		1-stage	2-stage	1-stage	2-stage	1-stage	2-stage	1-stage	2-stage	1-stage	2-stage	
Ratio ^{a)}	i	4 - 10	16 - 100	3 - 10	12 - 100	3 - 10	9 - 100	3 - 10	9 - 100	5 - 10	15 - 100	
Maximum torque ^{a)}	MF $T_{2\alpha}$	Nm	18-22	51-64	128-160	320-408	640-800					
		in.lb	160-200	450-570	1130-1420	2860-3610	5660-7080					
Maximum torque ^{a)}	MA $T_{2\alpha}$	Nm	-	62-88	184-200	432-488	-					
		in.lb	-	550-780	1170-1770	3820-4320	-					
Max. input speed	n_{1max}	min ⁻¹	10000	10000	8000	10000	7000	8000	6000	7000	4000	6000
Nominal input speed	n_{1N}	min ⁻¹	3800	4000	3300	3800	3100	3300	2300	3100	2000	2600
Max. radial force	F_{2RMmax}	N	800	1700	2800	5000	8000					
		lb _f	180	380	630	1130	1800					
Mean operating noise	L_{pA}	dB(A)	58	58	60	63	66					
Paint		Paint Pearl dark grey – innovation blue										
Direction of rotation		Motor and gearhead same direction										
Protection class		IP 64										
Page		6	8	10	12	14						

^{a)} The maximum torques depend on the ratio

You can select a suitable adapter plate using the online configurator on www.wittenstein-alpha.com
For application-specific sizing with cymex®, see www.cymex.com Please refer to the product pages for detailed information on individual gearhead sizes

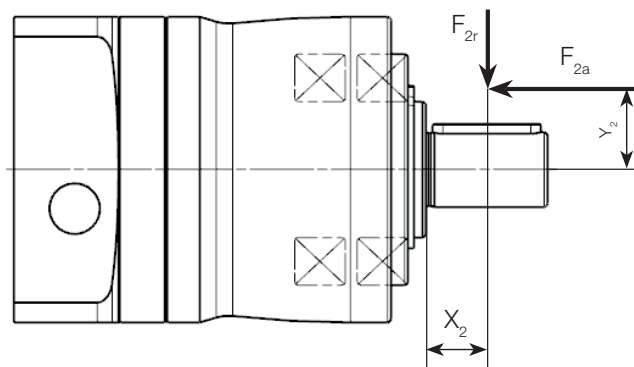
Account must be taken of the radial and axial forces at the output:

Please also carry out steps 6 and 7 if forces are present at the output (e.g. if timing belt pulleys, pinions or levers are mounted there).

Step 6 (if external forces are present):

Determine the forces acting on the output and check the boundary conditions

Radial force $F_{2r} = \text{_____ [N]}$
 Radial force distance $x_2 = \text{_____ [mm]}$
 Axial force $F_{2a} = \text{_____ [N]}$
 Axial force distance $y_2 = \text{_____ [mm]}$
 (required if F_{2a} is present)



Conditions if axial force F_{2a} is present:

1. $F_{2a} \leq 0.25 * F_{2r} \Rightarrow (\text{_____} \leq 0.25 * \text{_____})$ Met Not met: Sizing with cymex®
2. $y_2 \leq x_2 \Rightarrow (\text{_____} \leq \text{_____})$ Met Not met: Sizing with cymex®

Step 7:

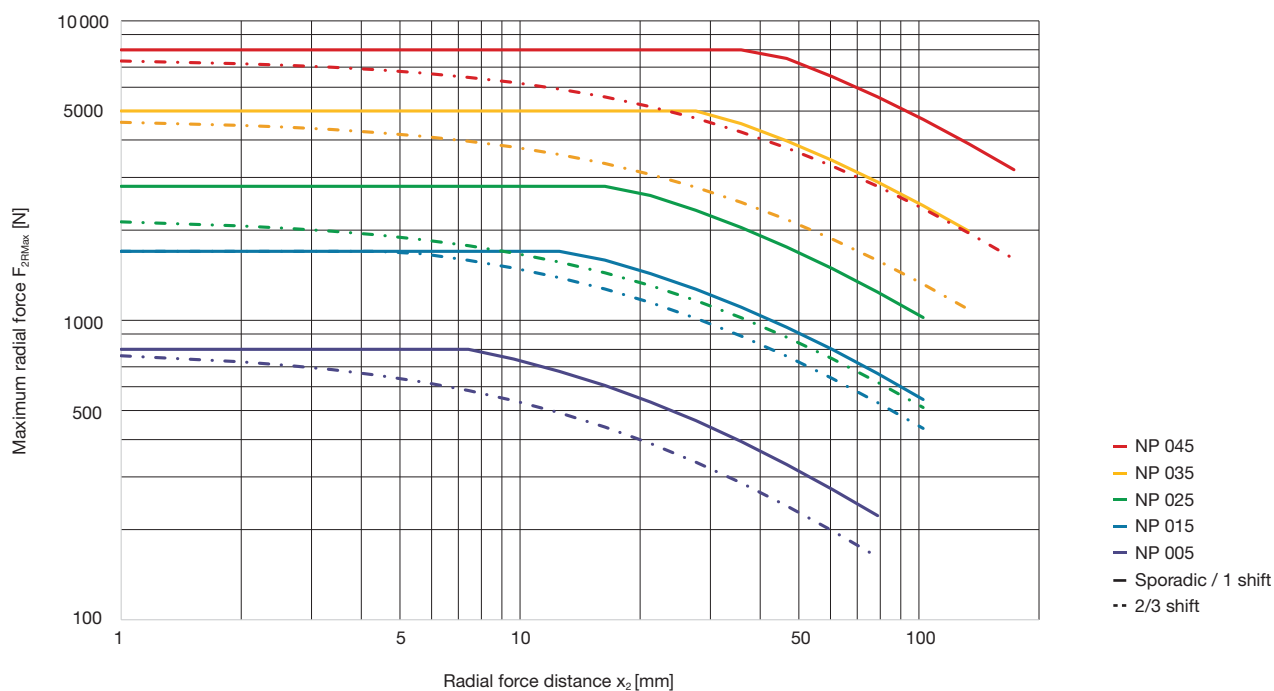
Determine the maximum equivalent force acting on the output $F_{2_{eq}}$

$$F_{2_{eq}} = F_{2r} + 0.25 * F_{2a} \leq F_{2RMax} \quad (F_{2RMax} \text{ can be determined from the diagram below})$$

$$F_{2_{eq}} = \text{_____} + 0.25 * \text{_____} \leq \text{_____}$$

$$F_{2_{eq}} = \text{_____ [N]} \leq \text{_____ [N]} \quad \text{input Met}$$

Not met: Higher axial and radial forces with the NPS, NPL and NPR.



NP 005S

		1-stage					2-stage										
Ratio ^{a)}	i	4	5	7	8	10	16	20	25	28	35	40	50	64	70	100	
Maximum Torque	MF T_{2a}	Nm	18	22	22	21	21	18	18	22	18	22	18	22	21	22	21
		in.lb	160	200	200	180	180	160	160	200	160	200	160	200	180	200	180
Emergency stop torque ^{b)}	T_{2Not}	Nm	26														
		in.lb	230														
Nominal input speed ^{c)}	n_{1N}	min ⁻¹	3800		4300			4000			4300						
Max. input speed	n_{1Max}	min ⁻¹	10000					10000									
Max. torsional backlash	j_t	arcmin	Standard ≤ 10					Standard ≤ 13									
Max. axial force ^{d)}	F_{2AMax}	N	700														
		lb _f	160														
Max. radial force ^{d)}	F_{2RMax}	N	800														
		lb _f	180														
Weight incl. standard adapter plate ^{e)}	m	kg	0.7 - 1.2					0.9 - 1.6									
		lb _m	1.5 - 2.6					2 - 3.5									
Operating noise ^{f)}	L_{PA}	dB(A)	≤ 58					≤ 58									
Max. permitted housing temperature	°C		+90														
	F		+194														
Ambient temperature	°C		-15 to +40														
	F		5 to 104														
Lubrication	Lubricated for life																
Paint	Housing: pearl dark grey / Drive-Side: Innovation Blue																
Direction of rotation	Motor and gearhead same direction																
Type of protection	IP 64																
Moment of inertia <small>(related to the drive)</small>	kgcm ²		0.02 to 0.14					0.02 to 0.13									
	10 ⁻³ in.lb.s ²		0.02 to 0.12					0.02 to 0.12									
Clamping hub diameter	Standard	mm	8(Z) 9(A) 11(B)					8(Z) 9(A) 11(B)									
	big		14(C)					14(C)									

^{a)} Other ratios available on request.

^{b)} Permitted 1000 times during the service life of the gearhead. If $T_{2a} > T_{2Not}$, then T_{2Not} is the maximum permitted value.

^{c)} At T_{1N} and 20°C ambient temperature. Higher speeds possible if calculated using cymex®.

^{d)} Refers to the center of the output shaft at $n_2 = 150$ rpm.

^{e)} Depending on the clamping hub diameter and the selected adapter plate.

^{f)} At $i=10$ and $n_1=3000$ rpm at no load.

You can select a suitable adapter plate using the online configurator on www.wittenstein-alpha.com

Quick gearhead selection based on the motor characteristic*:

Max. torque $T_{2a} \geq T_{max\ motor} \cdot i$

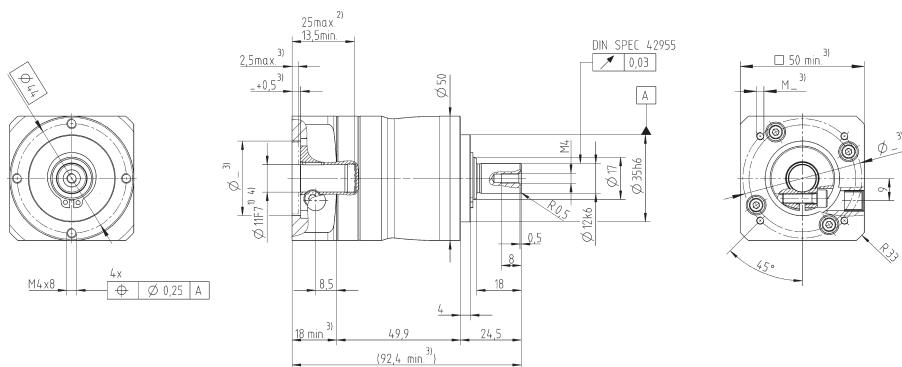
*Please refer to catalog pages 4 and 5 for detailed information on manual selection based on the application.

For application-specific sizing with cymex®, see www.cymex.com

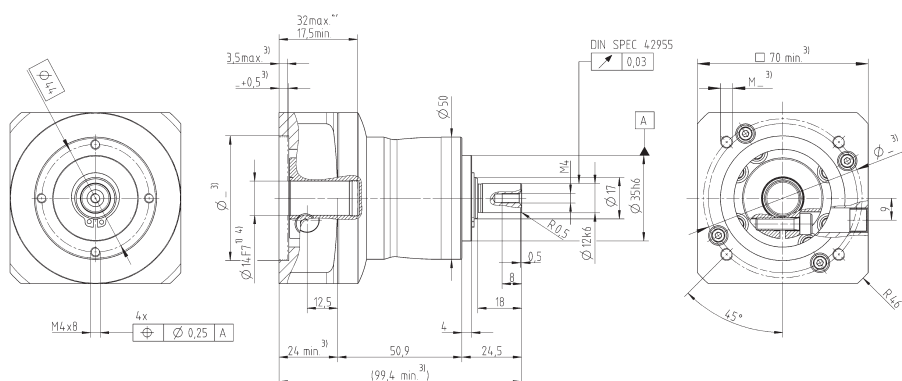
Motor shaft diameter [mm]

1-stage

Up to 4¹⁾ (B) clamping hub diameter

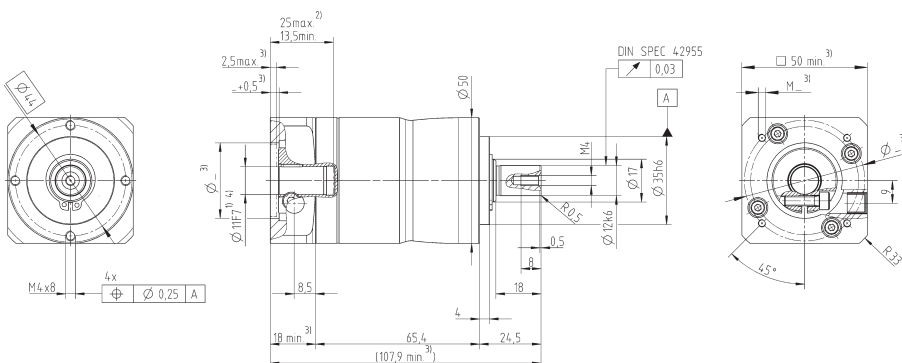


Up to 14⁴⁾ (C) clamping hub diameter

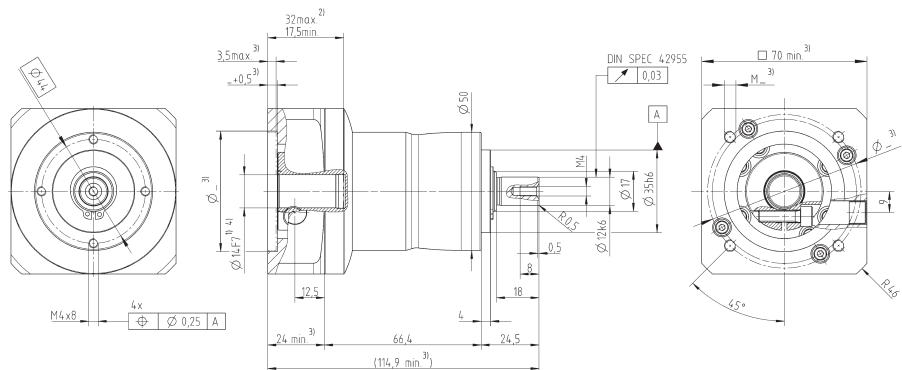


2-stage

Up to 4¹⁾ (B) clamping hub diameter

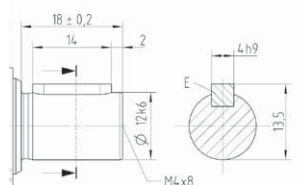


Up to 14⁴⁾ (C) clamping hub diameter



Alternatives: Output shaft variants

Output shaft with key
E = key as per DIN 6885, sheet 1, form A



Non-tolerated dimensions ±1 mm

- 1) Check motor shaft fit.
- 2) Min./max. permissible motor shaft length.
Longer motor shafts are adaptable; please contact us.
- 3) The dimensions depend on the motor.
- 4) Smaller motor shaft diameters are compensated by a bushing with a minimum thickness of 1 mm.

⚠ Motor mounting according to operating manual

NP 015S

				1-stage						2-stage												
Ratio ^{a)}	i	3	4	5	7	8	10	12	15	16	20	25	28	30	32	35	40	50	64	70	100	
Maximum torque	MF T_{2a}	Nm	51	56	64	64	56	56	51	51	56	56	64	56	51	56	64	56	64	56	64	56
		in.lb	450	500	570	570	500	500	450	450	500	500	570	500	450	500	570	500	570	500	570	500
Maximum torque	HIGH TORQUE – MA T_{2a}	Nm	88	67	-	-	-	-	62	67	67	67	-	67	62	-	-	67	-	-	-	-
		in.lb	780	590	-	-	-	-	550	590	590	590	-	590	550	-	-	590	-	-	-	-
Emergency stop torque ^{b)}	T_{2Not}	Nm	75																			
		in.lb	660																			
Nominal input speed ^{c)}	n_{1N}	min ⁻¹	3300			4000			3800						4300							
Max. input speed	n_{1Max}	min ⁻¹	8000						10000													
Max. torsional backlash	j_t	arcmin	Standard ≤ 8						Standard ≤ 10													
Max. axial force ^{d)}	F_{2AMax}	N	1550																			
		lb _f	350																			
Max. radial force ^{d)}	F_{2RMMax}	N	1700																			
		lb _f	380																			
Weight incl. standard adapter plate ^{e)}	m	kg	1.9 - 3						1.9 - 2.9													
		lb _m	4.2 - 6.6						4.2 - 6.4													
Operating noise ^{f)}	L_{PA}	dB(A)	≤ 59						≤ 58													
Max. permitted housing temperature	°C		+90																			
	F		+194																			
Ambient temperature	°C		-15 to +40																			
	F		5 to 104																			
Lubrication	Lubricated for life																					
Paint	Housing: pearl dark grey / Drive-Side: Innovation Blue																					
Direction of rotation	Motor and gearhead same direction																					
Type of protection	IP 64																					
Moment of inertia (related to the drive)	kgcm ²		0.13 to 0.53						0.02 to 0.14													
	10 ⁻³ in.lb.s ²		0.13 to 0.5						0.02 to 0.13													
Clamping hub diameter	Standard	mm	9(A) 11(B) 14(C)						8(Z) 9(A) 11(B)													
	big		16(D) 19(E)						14(C)													

^{a)} Other ratios available on request.

^{b)} Permitted 1000 times during the service life of the gearhead. If $T_{2a} > T_{2Not}$, then T_{2Not} is the maximum permitted value.

^{c)} At T_{1N} and 20°C ambient temperature. Higher speeds possible if calculated using cymex®.

^{d)} Refers to the center of the output shaft at $n_2 = 150$ rpm.

^{e)} Depending on the clamping hub diameter and the selected adapter plate.

^{f)} At $i=10$ and $n_1=3000$ rpm at no load.

You can select a suitable adapter plate using the online configurator on www.wittenstein-alpha.com

Quick gearhead selection based on the motor characteristic*:

Max. torque $T_{2a} \geq T_{max\ motor} \cdot i$

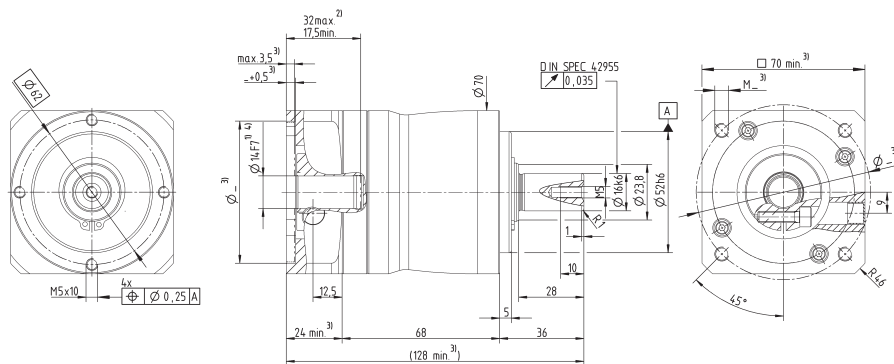
*Please refer to catalog pages 4 and 5 for detailed information on manual selection based on the application.

For application-specific sizing with cymex®, see www.cymex.com

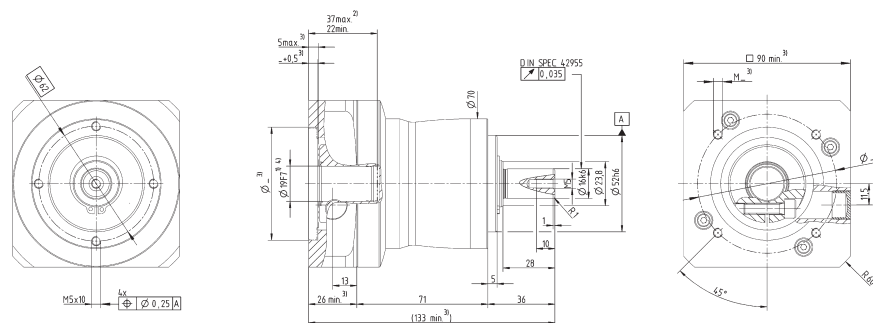
Motor shaft diameter [mm]

1-stage

Up to 14⁴⁾ (C) clamping hub diameter

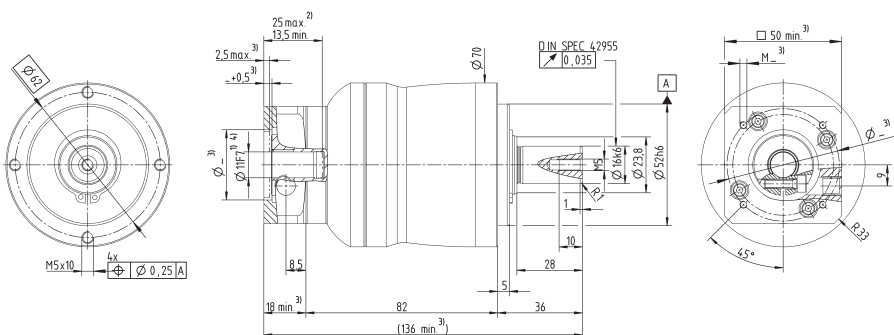


Up to 19⁴⁾ (E) clamping hub diameter

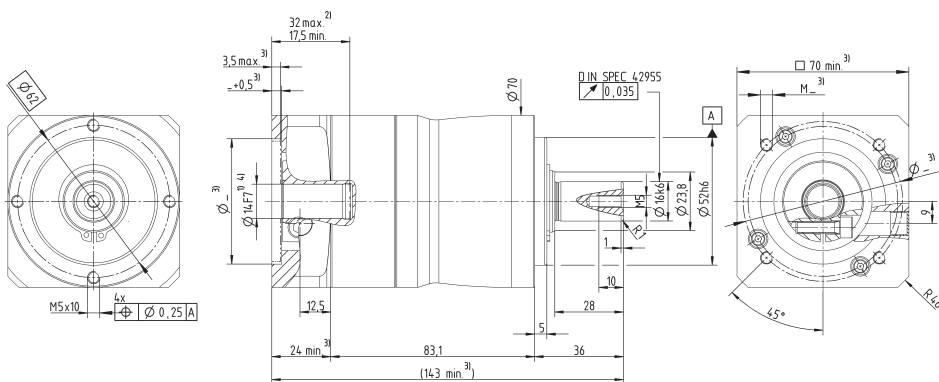


2-stage

Up to 11⁴⁾ (B) clamping hub diameter

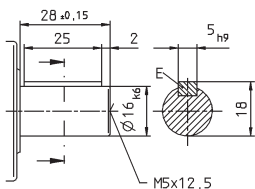


Up to 14⁴⁾ (C) clamping hub diameter



Alternatives: Output shaft variants

Output shaft with key
E = key as per DIN 6885, sheet 1, form A



Non-tolerated dimensions ±1 mm

- 1) Check motor shaft fit.
- 2) Min./max. permissible motor shaft length.
Longer motor shafts are adaptable; please contact us.
- 3) The dimensions depend on the motor.
- 4) Smaller motor shaft diameters are compensated by a bushing with a minimum thickness of 1 mm.

⚠ Motor mounting according to operating manual

NP 025S

				1-stage						2-stage														
Ratio ^{a)}		i		3	4	5	7	8	10	9	12	15	16	20	25	28	30	32	35	40	50	64	70	100
Maximum torque	MF	T_{2a}	Nm	128	152	160	160	144	144	128	128	128	152	152	160	152	128	152	160	152	160	144	160	144
			in.lb																					
Maximum torque	HIGH TORQUE – MA	T_{2a}	Nm	200	184	-	-	-	-	200	200	192	184	184	-	184	168	-	-	184	-	-	-	-
			in.lb																					
Emergency stop torque ^{b)}		T_{2Not}	Nm	190																				
			in.lb	16700																				
Nominal input speed ^{c)}		n_{1N}	min ⁻¹	3100			3600			3300					4000									
Max. input speed		n_{1Max}	min ⁻¹	7000						8000														
Max. torsional backlash		j_t	arcmin	Standard ≤ 8						Standard ≤ 10														
Max. axial force ^{d)}		F_{2AMax}	N	1900																				
			lb _f	430																				
Max. radial force ^{d)}		F_{2RMMax}	N	2800																				
			lb _f	630																				
Weight incl. standard adapter plate ^{e)}		m	kg	3.8 - 6.4						4.1 - 5.9														
			lb _m	8.4 - 14.1						9.1 - 13														
Operating noise ^{f)}		L_{PA}	dB(A)	≤ 61						≤ 59														
Max. permitted housing temperature			°C	+90																				
			F	+194																				
Ambient temperature			°C	-15 to +40																				
			F	5 to 104																				
Lubrication				Lubricated for life																				
Paint				Housing: pearl dark grey / Drive-Side: Innovation Blue																				
Direction of rotation				Motor and gearhead same direction																				
Type of protection				IP 64																				
Moment of inertia (related to the drive)			kgcm ²	0.3 to 1.8						0.2 to 0.56														
			10 ⁻³ in.lb.s ²	0.2 to 1.6						0.2 to 0.5														
Clamping hub diameter	Standard		mm	14(C) 16(D) 19(E)						9(A) 11(B) 14(C)														
				big	24(G) 28(H)						16 (D) 19(E)													

^{a)} Other ratios available on request.

^{b)} Permitted 1000 times during the service life of the gearhead. If $T_{2a} > T_{2Not}$, then T_{2Not} is the maximum permitted value.

^{c)} At T_{1N} and 20°C ambient temperature. Higher speeds possible if calculated using cymex®.

^{d)} Refers to the center of the output shaft at $n_2 = 150$ rpm.

^{e)} Depending on the clamping hub diameter and the selected adapter plate.

^{f)} At $i=10$ and $n_1=3000$ rpm at no load.

You can select a suitable adapter plate using the online configurator on www.wittenstein-alpha.com

Quick gearhead selection based on the motor characteristic*:

Max. torque $T_{2a} \geq T_{max\ motor} \cdot i$

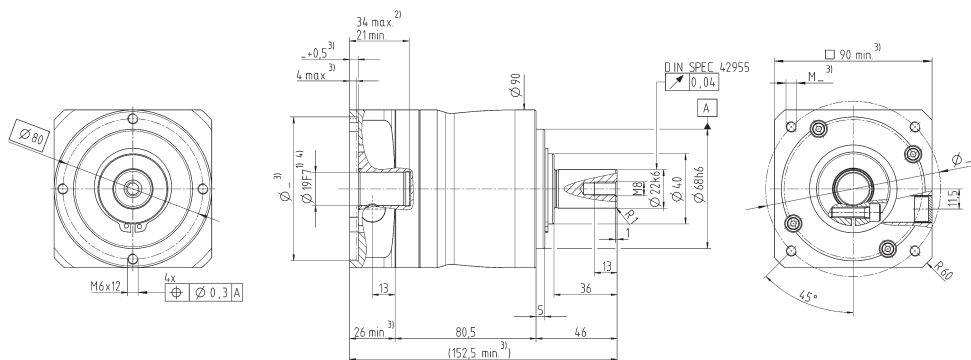
*Please refer to catalog pages 4 and 5 for detailed information on manual selection based on the application.

For application-specific sizing with cymex®, see www.cymex.com

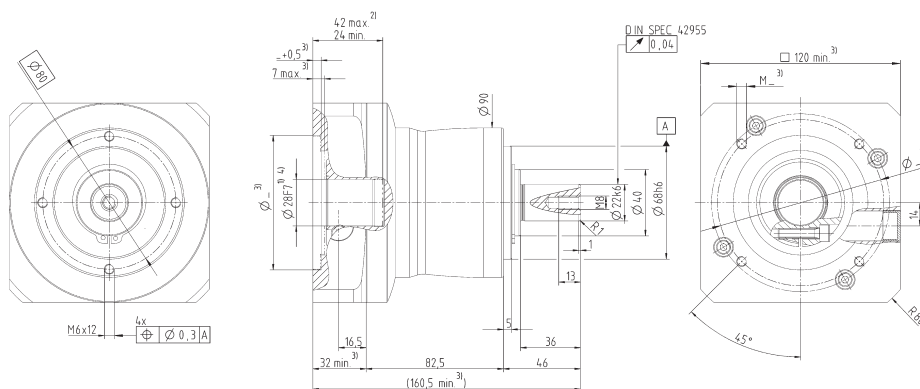
Motor shaft diameter [mm]

1-stage

Up to 19⁴⁾ (E) clamping hub diameter

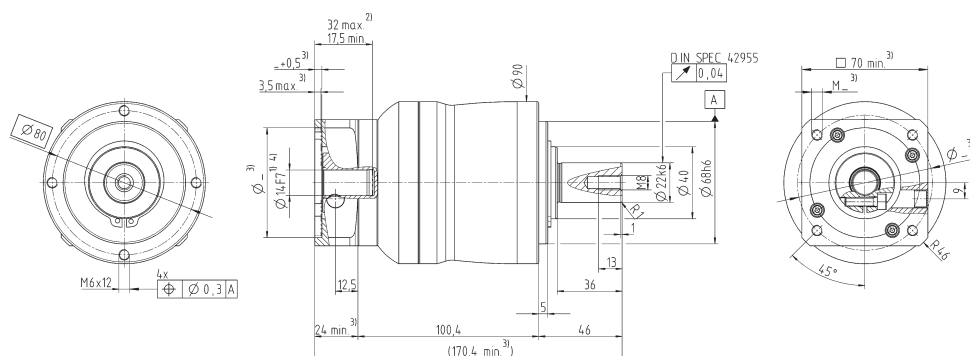


Up to 28⁴⁾ (H) clamping hub diameter

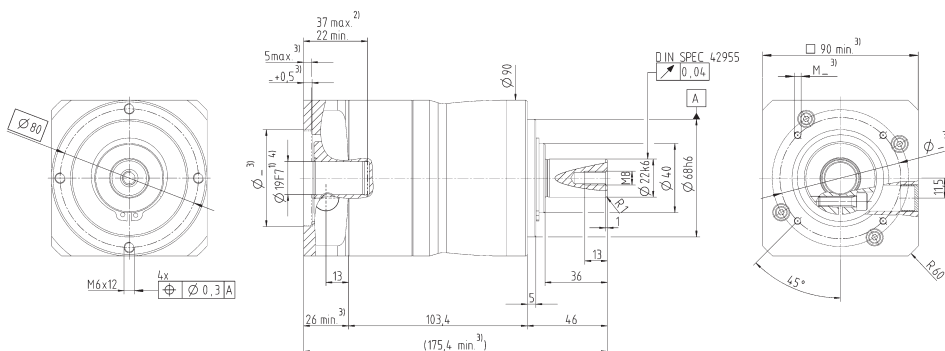


2-stage

Up to 14⁴⁾ (C) clamping hub diameter

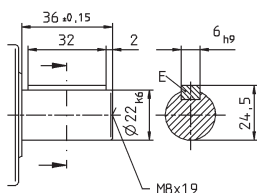


bis 19⁴⁾ (E) clamping hub diameter



Alternatives: Output shaft variants

Output shaft with key
E = key as per DIN 6885, sheet 1, form A



Non-tolerated dimensions ± 1 mm

- 1) Check motor shaft fit.
- 2) Min./max. permissible motor shaft length.
Longer motor shafts are adaptable; please contact us.
- 3) The dimensions depend on the motor.
- 4) Smaller motor shaft diameters are compensated by a bushing with a minimum thickness of 1 mm.

⚠ Motor mounting according to operating manual

NP 035S

Ratio ^{a)}	i	1-stage										2-stage											
		3	4	5	7	8	10	9	12	15	16	20	25	28	30	32	35	40	50	64	70	100	
Maximum torque	MF	T_{2a}	Nm	320	408	400	400	352	352	320	320	320	408	408	400	408	320	408	400	408	352	400	352
			in.lb	2830	3610	3540	3540	3120	3120	2830	2830	2830	3610	3610	3540	3610	2830	3610	3540	3610	3540	3120	3540
Maximum torque	HIGH TORQUE – MA	T_{2a}	Nm	488	488	-	-	-	-	488	488	480	488	488	-	488	432	-	-	488	-	-	-
			in.lb	4320	4320	-	-	-	-	4320	4320	4250	4320	4320	-	4320	3820	-	-	4320	-	-	-
Emergency stop torque ^{b)}		T_{2Not}	Nm	480																			
			in.lb	4200																			
Nominal input speed ^{c)}		n_{1N}	min ⁻¹	2300					2800					3100					3600				
Max. input speed		n_{1Max}	min ⁻¹	6000										7000									
Max. torsional backlash		j_t	arcmin	Standard ≤ 8										Standard ≤ 10									
Max. axial force ^{d)}		F_{2AMax}	N	4000																			
			lb _f	900																			
Max. radial force ^{d)}		F_{2RMMax}	N	5000																			
			lb _f	1130																			
Weight incl. standard adapter plate ^{e)}		m	kg	9.4 - 15.6										9.8 - 14.3									
			lb _m	21 - 34										22 - 32									
Operating noise ^{f)}		L_{PA}	dB(A)	≤ 65										≤ 61									
Max. permitted housing temperature			°C	+90																			
			F	+194																			
Ambient temperature			°C	-15 to +40																			
			F	5 to 104																			
Lubrication				Lubricated for life																			
Paint				Housing: pearl dark grey / Drive-Side: Innovation Blue																			
Direction of rotation				Motor and gearhead same direction																			
Type of protection				IP 64																			
Moment of inertia (related to the drive)			kgcm ²	0.9 to 8.3										0.24 to 1.9									
			10 ⁻³ in.lb.s ²	0.8 to 7.4										0.21 to 1.7									
Clamping hub diameter	Standard		mm	19(E) 24(G) 28(H)										14(C) 16(D) 19(E)									
				big	32(I) 38(K)										24(G) 28(H)								

^{a)} Other ratios available on request.

^{b)} Permitted 1000 times during the service life of the gearhead. If $T_{2a} > T_{2Not}$, then T_{2Not} is the maximum permitted value.

^{c)} At T_{1N} and 20°C ambient temperature. Higher speeds possible if calculated using cymex®.

^{d)} Refers to the center of the output shaft at $n_2 = 150$ rpm.

^{e)} Depending on the clamping hub diameter and the selected adapter plate.

^{f)} At $i=10$ and $n_1=3000$ rpm at no load.

You can select a suitable adapter plate using the online configurator on www.wittenstein-alpha.com

Quick gearhead selection based on the motor characteristic*:

Max. torque $T_{2a} \geq T_{max\ motor} \cdot i$

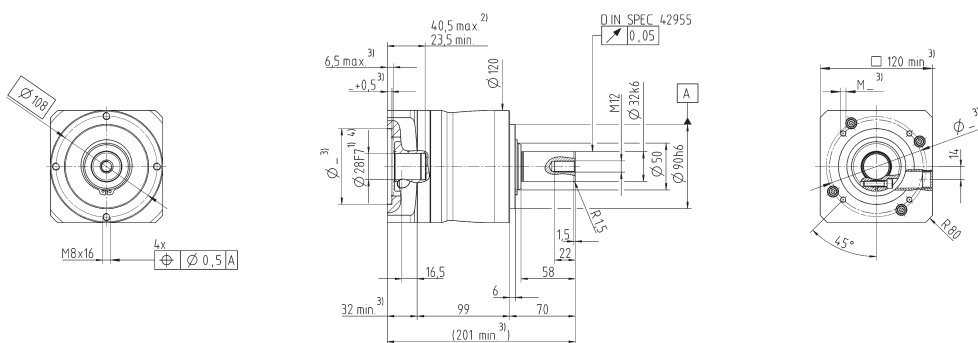
*Please refer to catalog pages 4 and 5 for detailed information on manual selection based on the application.

For application-specific sizing with cymex®, see www.cymex.com

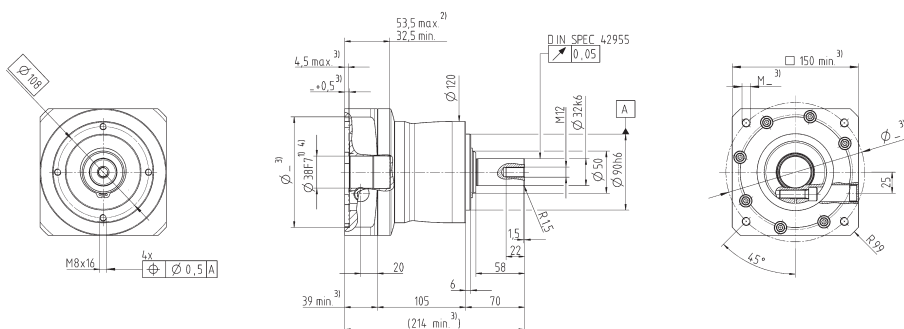
Motor shaft diameter [mm]

1-stage

Up to 28⁴⁾ (H) clamping hub diameter

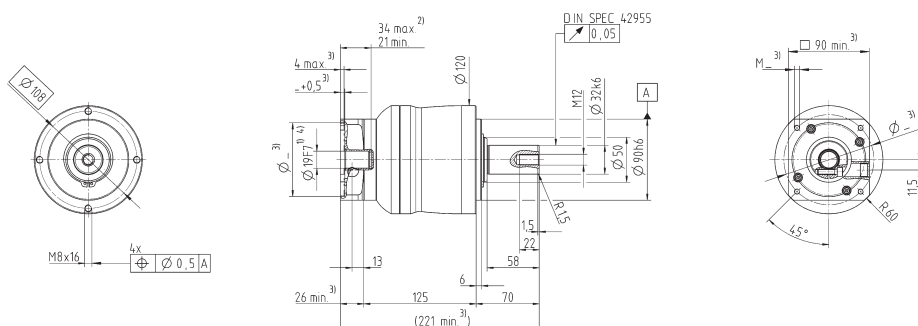


Up to 38⁴⁾ (K) clamping hub diameter

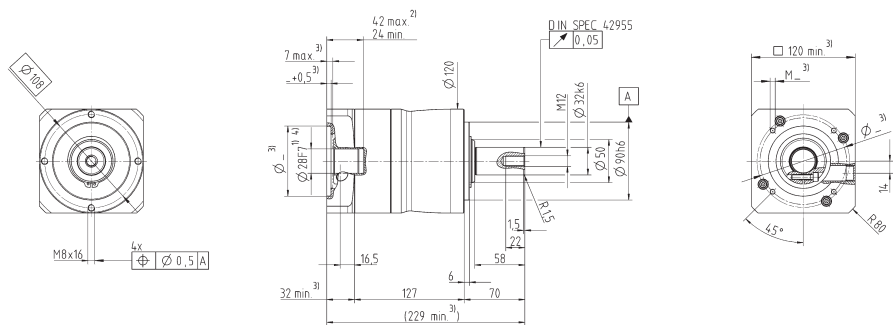


2-stage

Up to 19⁴⁾ (E) clamping hub diameter

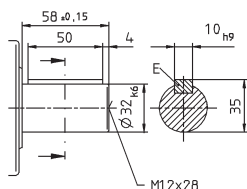


Up to 28⁴⁾ (H) clamping hub diameter



Alternatives: Output shaft variants

Output shaft with key
E = key as per DIN 6885, sheet 1, form A



Non-tolerated dimensions ± 1 mm

- 1) Check motor shaft fit.
- 2) Min./max. permissible motor shaft length.
Longer motor shafts are adaptable; please contact us.
- 3) The dimensions depend on the motor.
- 4) Smaller motor shaft diameters are compensated by a bushing with a minimum thickness of 1 mm.

⚠ Motor mounting according to operating manual

NP 045S

Ratio ^{a)}	i	1-stage			2-stage						
		5	8	10	25	32	50	64	100		
Maximum Torque	MF	T_{2a}	Nm	800	640	640	700	640	700	640	640
			in.lb	7080	5660	5660	6200	5660	6200	5660	5660
Emergency stop torque ^{b)}		T_{2Not}	Nm	1000							
			in.lb	8900							
Nominal input speed ^{c)}		n_{1N}	min ⁻¹	2000	2200		2600				
Max. input speed		n_{1Max}	min ⁻¹	4000			6000				
Max. torsional backlash		j_t	arcmin	Standard ≤ 8			Standard ≤ 10				
Max. axial force ^{d)}		F_{2AMax}	N	6000							
			lb _f	1400							
Max. radial force ^{d)}		F_{2RMax}	N	8000							
			lb _f	1800							
Weight incl. standard adapter plate ^{e)}		m	kg	19 - 25			20 - 28				
			lb _m	42 - 55			43 - 62				
Operating noise ^{f)}		L_{PA}	dB(A)	≤ 68			≤ 65				
Max. permitted housing temperature			°C	+90							
			F	+194							
Ambient temperature			°C	-15 to +40							
			F	5 to 104							
Lubrication				Lubricated for life							
Paint				Housing: pearl dark grey / Drive-Side: Innovation Blue							
Direction of rotation				Motor and gearhead same direction							
Type of protection				IP 64							
Moment of inertia (related to the drive)			kgcm ²	7.2 to 8.8			0.8 to 7.6				
			10 ⁻³ in.lb.s ²	6.4 to 7.8			0.7 to 6.7				
Clamping hub diameter	Standard		mm	38(K)			19(E) 24(G) 28(H)				
	big			-			32(I) 38(K)				

^{a)} Other ratios available on request.

^{b)} Permitted 1000 times during the service life of the gearhead. If $T_{2a} > T_{2Not}$, then T_{2Not} is the maximum permitted value.

^{c)} At T_{1N} and 20°C ambient temperature. Higher speeds possible if calculated using cymex®.

^{d)} Refers to the center of the output shaft at $n_2 = 150$ rpm.

^{e)} Depending on the clamping hub diameter and the selected adapter plate.

^{f)} At $i=10$ and $n_1=3000$ rpm at no load.

You can select a suitable adapter plate using the online configurator on www.wittenstein-alpha.com

Quick gearhead selection based on the motor characteristic*:

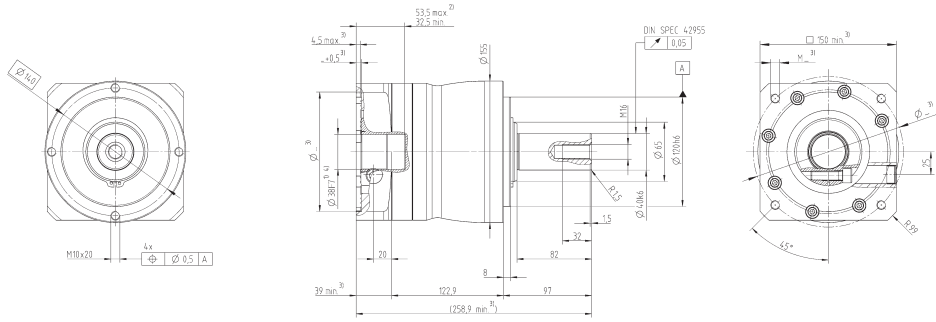
Max. torque $T_{2a} \geq T_{max\ motor} \cdot i$

*Please refer to catalog pages 4 and 5 for detailed information on manual selection based on the application.

For application-specific sizing with cymex®, see www.cymex.com

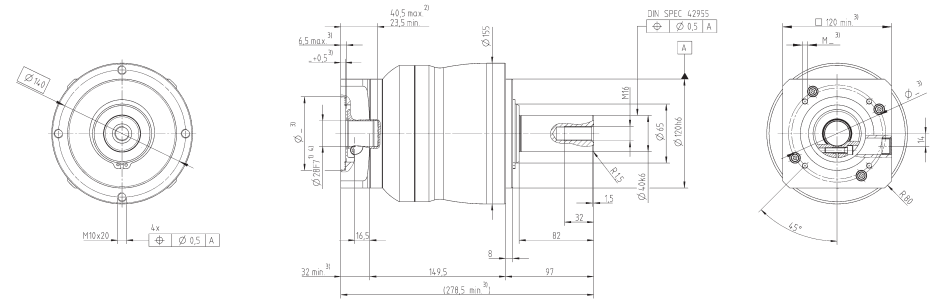
1-stage

Up to 38⁴⁾ (K) clamping hub diameter

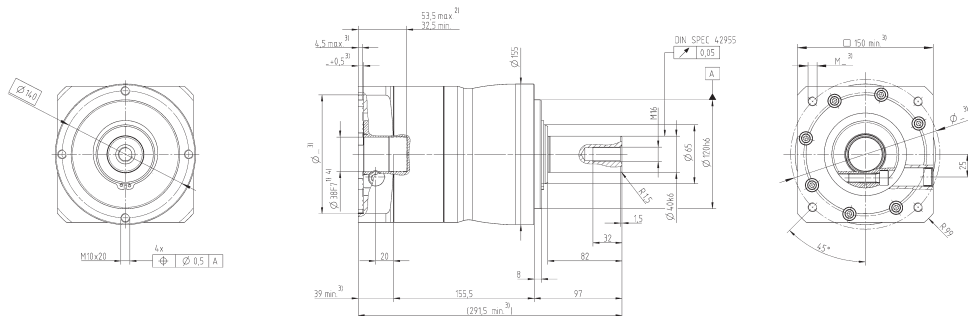


2-stage

Up to 28⁴⁾ (H) clamping hub diameter

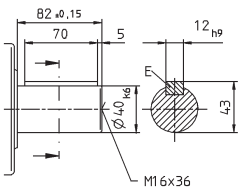


Up to 38⁴⁾ (K) clamping hub diameter



Alternatives: Output shaft variants

Output shaft with key
E = key as per DIN 6885, sheet 1, form A



Non-tolerated dimensions ± 1 mm

- 1) Check motor shaft fit.
- 2) Min./max. permissible motor shaft length.
Longer motor shafts are adaptable; please contact us.
- 3) The dimensions depend on the motor.
- 4) Smaller motor shaft diameters are compensated by a bushing with a minimum thickness of 1 mm.

⚠ Motor mounting according to operating manual

Equivalent force at the output (F_{2eq})

The equivalent force F_{2eq} at the output describes the decisive forces for gearhead selection

Equivalent application torque (T_{2eq})

The equivalent application torque T_{2eq} describes the decisive torque for gearhead selection.

Sizing factor (f_a)

The sizing factor f_a describes the influence of the daily operating time and the operating mode factor on the application torque.

Operating mode factor (K_M)

The operating mode factor K_M describes the influence of the duty cycle, the number of cycles and the dynamics on the application torque.

Moment of inertia (relates to the drive) (J)

The mass moment of inertia J is a measure of the effort applied by an object to maintain its momentary condition (at rest or moving).

Operating noise (L_{PA})

Low noise level L_{PA} is a factor of growing importance for environmental and health reasons. The gear ratio and speed both affect the noise level.

General rule:

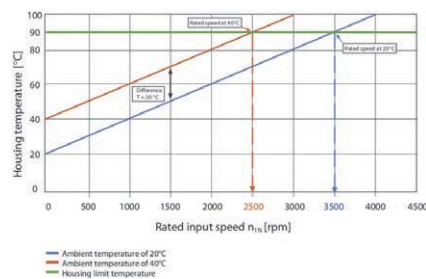
A higher speed means a higher noise level, while a higher ratio means a lower noise level. The values specified in our catalog relate to gearheads with a ratio $i = 10/100$ at a speed $n = 3000$ rpm

Max. radial force (F_{2R})

The radial force F_{2R} is the force component acting at right angles to the output shaft with the NP, NPS, NPR and NPL or parallel to the output flange with the NPT. It acts perpendicular to the axial force and can assume an axial distance of x_2 in relation to the shaft shoulder with the NP, NPS, NPR and NPL or to the shaft flange with the NPT, which acts as a lever arm. The lateral force produces a bending moment.

Max. input speed (n_{1max}) and nominal input speed (n_{1N})

Two speeds are of relevance when sizing a gearhead: the maximum speed and the nominal speed at the input. The maximum permissible speed n_{1Max} must not be exceeded because it serves as the basis for sizing \rightarrow cyclic operation. The nominal speed n_{1N} must not be exceeded in \rightarrow continuous operation. The housing temperature limits the nominal speed, which must not exceed 90°C. The nominal input speed specified in the catalogue applies to an ambient temperature of 20°C. As can be seen in the diagram below, the temperature limit is reached more quickly in the presence of an elevated outside temperature, in other words the nominal input speed must be reduced if the ambient temperature is high. The values applicable to your gearhead are available from WITTENSTEIN alpha on request.



Max. output torque (T_{2a})

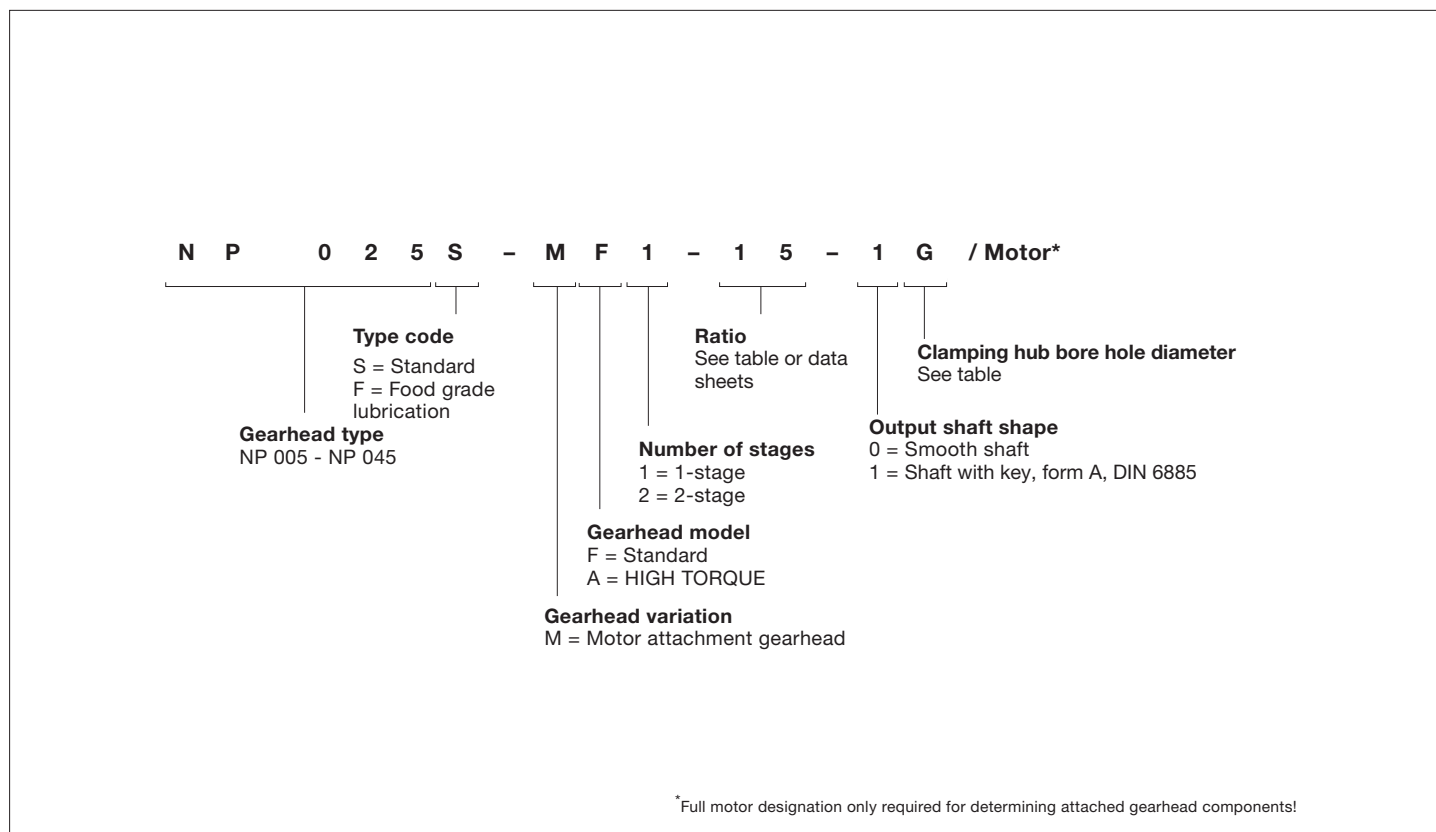
T_{2a} is the maximum torque which can be transmitted by the gearhead. This value may be lower, depending on the specific boundary conditions of the application.

Emergency stop torque (T_{2Not})

The emergency stop torque [Nm] T_{2Not} is the maximum permissible torque at the gearhead output and must not be reached more than 1000 times during the life of the gearhead. It must never be exceeded.

Further information can be found in the glossary of our current product catalog

Order codes for the alpha Value Line – NP



Ratio and clamping hub diameter table

Size	Stages	Ratios	Clamping hub diameters* [mm]
005	1 stage	4, 5, 7, 8, 10	8 (Z), 9 (A), 11 (B), 14 (C)
	2 stage	16, 20, 25, 28, 35, 40, 50, 64, 70, 100	8 (Z), 9 (A), 11 (B), 14 (C)
015	1 stage	3, 4, 5, 7, 8, 10	9 (A), 11 (B), 14 (C), 16 (D), 19 (E)
	2 stage	12, 15, 16, 20, 25, 28, 30, 32, 35, 40, 50, 64, 70, 100	8 (Z), 9 (A), 11 (B), 14 (C)
025	1 stage	3, 4, 5, 7, 8, 10	14 (C), 16 (D), 19 (E), 24 (G), 28 (H)
	2 stage	9, 12, 15, 16, 20, 25, 28, 30, 32, 35, 40, 50, 64, 70, 100	9 (A), 11 (B), 14 (C), 16 (D), 19 (E)
035	1 stage	3, 4, 5, 7, 8, 10	19 (E), 24 (G), 28 (H), 32 (I), 38 (K)
	2 stage	9, 12, 15, 16, 20, 25, 28, 30, 32, 35, 40, 50, 64, 70, 100	14 (C), 16 (D), 19 (E), 24 (G), 28 (H)
045	1 stage	5, 8, 10	38 (K)
	2 stage	25, 32, 50, 64, 100	19 (E), 24 (G), 28 (H), 32 (I), 38 (K)

* Intermediate diameters are possible in combination with a bushing with a minimum thickness of 1 mm.



WITTENSTEIN alpha · 1249 Humbracht Circle · Bartlett, IL 60103, USA · Tel. +1 630 540-5300 · info@wittenstein-us.com

WITTENSTEIN alpha – intelligent drive systems

www.wittenstein-alpha.com/alpha-value-line

